

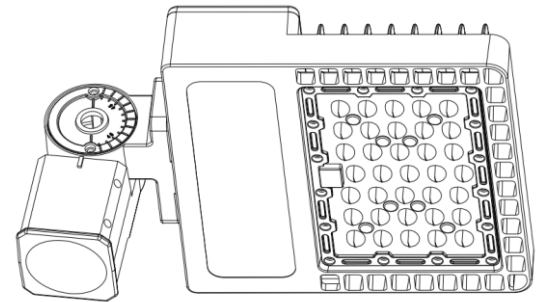
SBAL Area Lighting Luminaries

(KLSBAL060 KLSBAL100 KLSBAL150 KLSBAL200 KLSBAL250 KLSBAL320
KLHVSBAL060 KLHVSBAL 100 HLHVSBAL200 KLHVSBAL250 KLHVSBAL320)

INSTALLATION INSTRUCTIONS

! Warning:

- Turn power off before inspection, installation or removal
- Properly ground electrical enclosure.
- Make sure all install firmly.
- Use only UL or IEC approved wire for input/output connections.
- Minimum size of the AC wires 18 AWG.
- The luminaries must be installed by qualified electrician.
- Other warnings that will not lead to misuse.



Descriptions:

- This luminaries is designed for outdoor lighting applications, and should not be used in areas of limited ventilation, or in high ambient temperature enclosures.
- This luminaries is designed to operate in ambient temperatures ranging from -40°C to 50°C and to be mounted horizontally on a vertical wall with LEDs facing down.
- This luminaries is designed use in wet Location, should be not used In water

Installation:

● Unpacking

This luminaries has been properly packed ,should be no part damaged during The transit.

Inspect after open the package to confirm any thing missing or damaged.

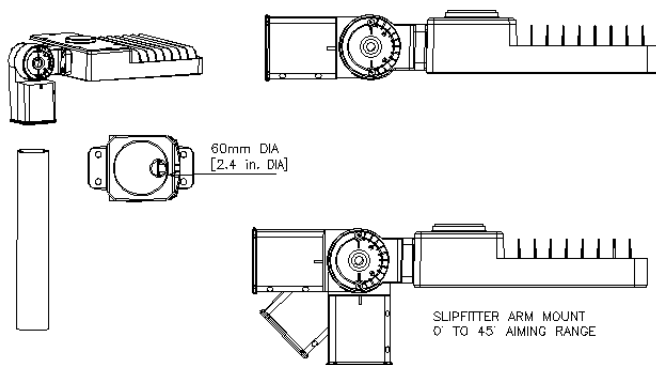
● Handling

Damage may occur if luminaries is improperly handled outside of pack ,Do not impact or stack luminaries after removal from packaging.

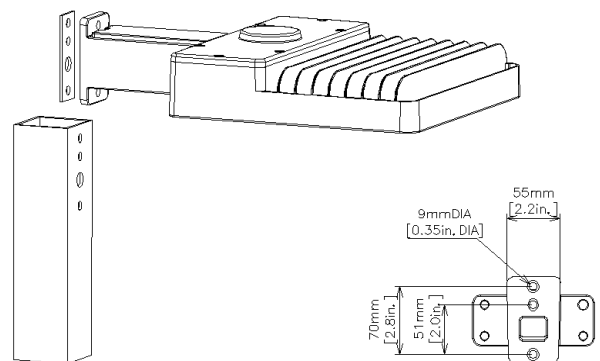
● Mounting

There is seven type application for different mounting . the install details please find below

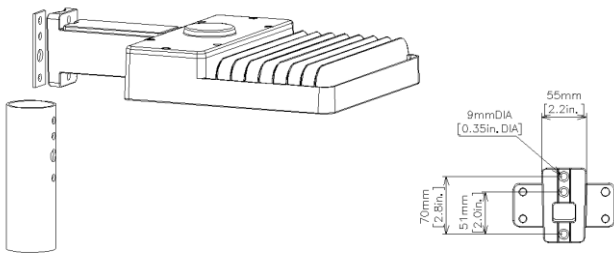
SBAL-TA: Slip fitter Mount (2 3/8 in. Inside Diameter)



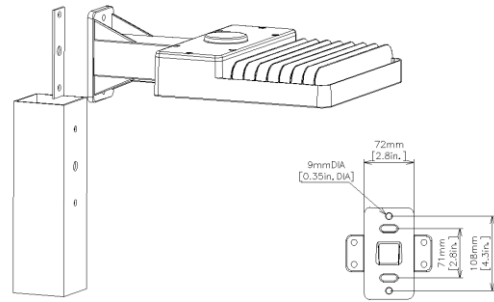
SBAL-TB: Square Pole Mount



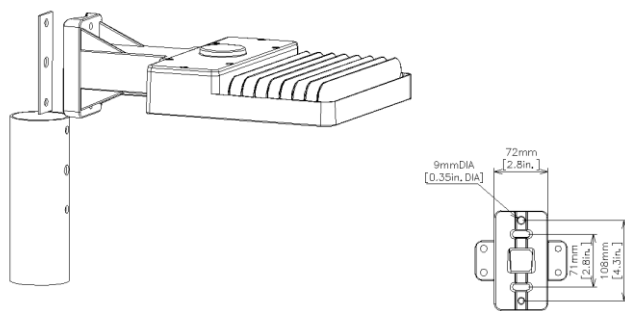
SBAL-TC: Round pole Mount



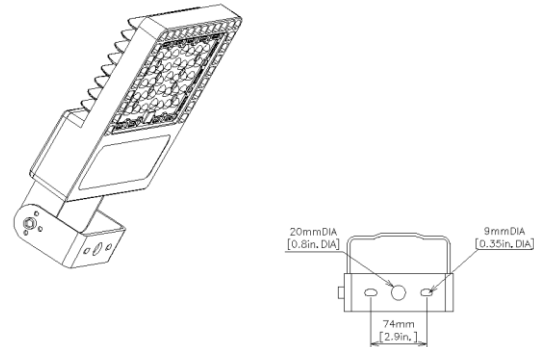
SBAL-TD: Square Pole Mount



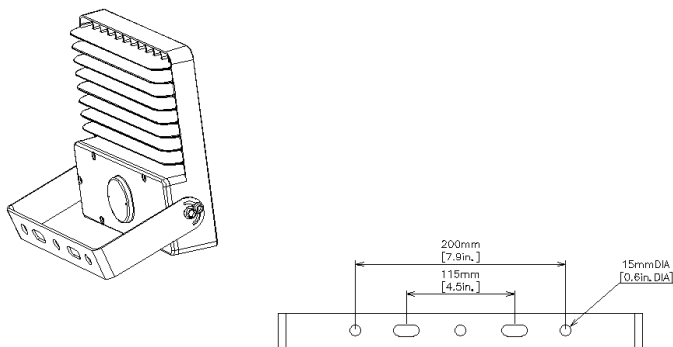
SBAL-TE: Round pole Mount



SBAL-TF: Trunnion Mount



SBAL-TG: Surface Mount



External Dimming Control (If Applicable):

when using application of program dimming ,need connect below 3 wire to the programmer.

- Gray Lead =0-10V Dim(-)
- Violet Lead = 0-10VDim(+)
- BLK/WHT= Vaux

Occupancy Sensor(optional):

Keep The surface of the sensor clear

- Wash thoroughly, using a soft cloth.
- Rinse with clean, cold water and wipe dry

Surge protective device(optional):

The standard is 6KV ,10KA as optional

- Storage

Until installation, all units should be placed in a covered dry storage area. The storage area should not exceed -40°C (-40°F) to 50°C (122°F).u