

LED traditional wall pack Luminaries

(KLWPGR040/ KLWPGR060/ KLWPGR090/ KLWPGR120/
KLHVWVWGR040/ KLHVWVWGR060/ KLHVWVWGR090/ KLHVWVWGR120)

Installation Guide

! Warning:

- Turn power off before inspection, installation or removal.
- Properly ground electrical enclosure
- Make sure all install firmly.
- Use only UL or IEC approved wire for input/output connections.
- Minimum size of the AC wires 18 AWG

Descriptions:

- This luminaries is designed for outdoor lighting applications, and should not be used in areas of limited ventilation, or in high ambient temperature enclosures.
- This luminaries is designed to operate in ambient temperatures ranging from -40°C to 50°C and to be mounted horizontally on a vertical wall with LEDs facing down.
- This luminaries is designed use in wet Location, should be not used In water.

Installation:

● Unpacking

This luminaries has been properly packed ,should be no part damaged during The transit.

Inspect after open the package to confirm any thing missing or damaged.

● Handling

Damage may occur if luminaries is improperly handled outside of pack ,Do not impact or stack luminaries after removal from packaging.

● Mounting

The luminaries can be mounted to a suitable Recessed mounted outlet box and mounted on the wall. An alternate method of mounting the Mounting Bracket over a recessed-mounted outlet box is to position back cover over the box and securely counts with lag bolts (not provided) through the holes provided in the back cover.

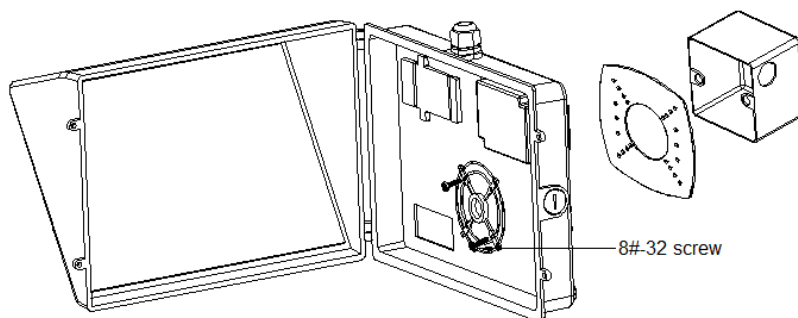
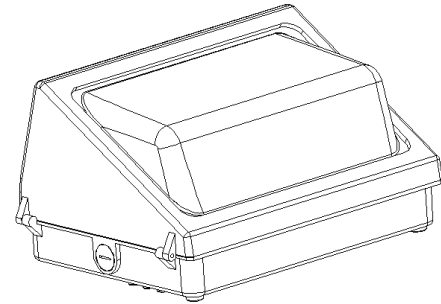


Figure 1

Step1:Open the plastic cover by loosening the screws on the cover parts (4pcs screws),see Figure 1.

Step2:The Mounting diagram to the wall or outlet in this instructions may be used as a drill template see Figure 2.

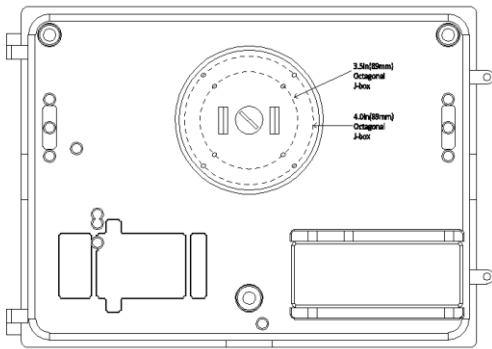


Figure 2

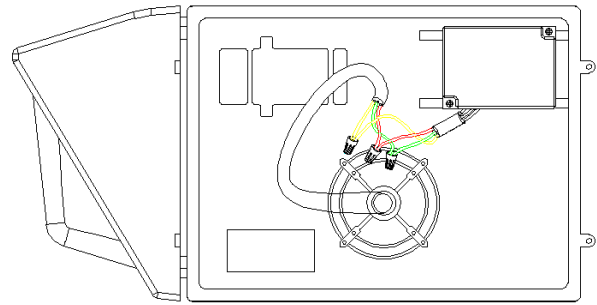


Figure 3

Step3: Connect electrical wires to the fixture by pulling wires from the outlet box into Electrical Cavity.

Connect wire on unit to wires from outlet box, See Figure 3. Remind the GND wire connected.

Step4: Make all electrical connections in accordance with the National Electrical Code and any applicable local code requirements.

Step5: Close the cover part by the screw, before close the cover part please mounting the gasket smooth surfaces, the gasket to provide water and dust protection.

External Dimming Control (If Applicable):

- Gray Lead = 0VDC (-)
- Violet Lead = Up To 10VDC (+)

Occupancy Sensor(optional):

Keep The surface of the sensor clear

- Wash thoroughly, using a soft cloth.
- Rinse with clean, cold water and wipe dry

● **Storage**

Until installation, all units should be placed in a covered dry storage area. The storage area should not exceed -40°C (-40°F) to 50°C (122°F).