

Constant Current Power Supply

LP-XLPCC-PS1

Features & Benefits

- Universal AC input/full range (up to 277VAC)
- Built in active PFC function
- High efficiency up to 87%
- Cooling by free air convection
- IP65 design for indoor or outdoor installations
- Suitable for LED lighting
- Compliance to worldwide safety regulations for lighting
- Suitable for dry/damp locations
- 5years warranty



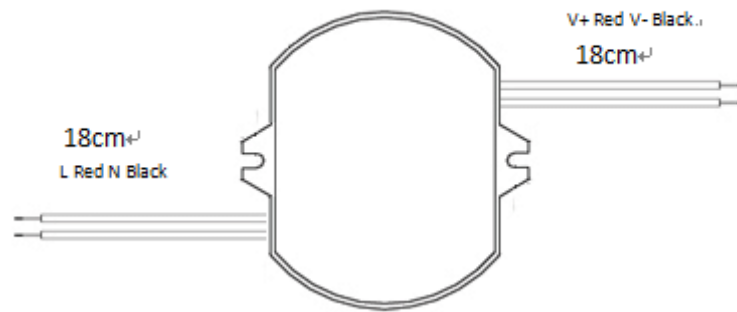
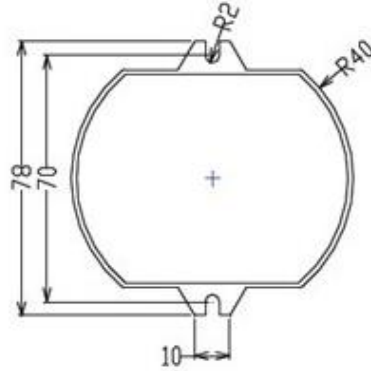
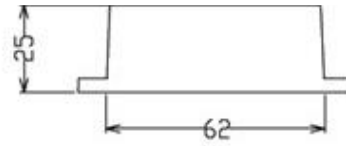
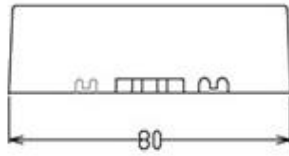
Specifications

Output	Rated Current	350mA
	Voltage	20-40VDC
	Rated Power	14watts
	Ripple & Noise (Max)	± 20%
	Voltage Tolerance	± 2
	Line Regulation	3%
	Load Regulation	3%
	Setup, Rise Time	<1S
	Hold Up Time(Typ.)	<1S
Input	Voltage Range <small>Note1</small>	100 – 277VAC
	Frequency Range	50-60Hz
	Power Factor	PF>0.98/110V PF>0.92/230V
	Total Harmonic Distortion	THD<20%/110V THD<20/230V

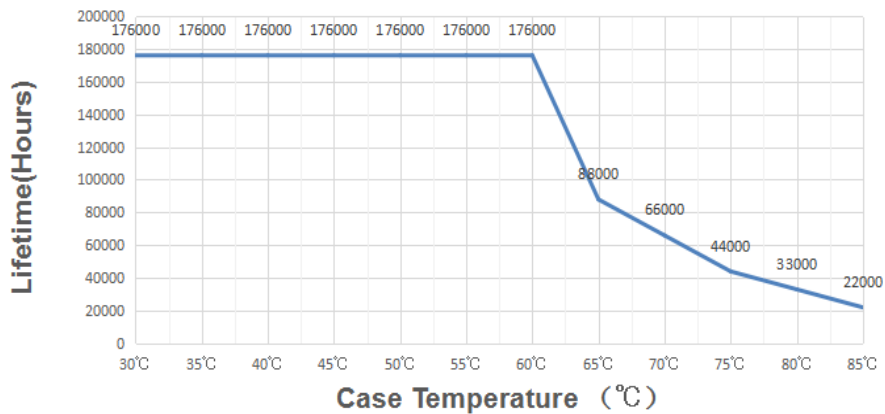
	Efficiency(Typ.)	87%
	Ac Current(Typ.)	<200mA
	Leakage current	<5ma
Protection	Over Current	YES
	Short Circuit	YES
	Over Voltage	≤50V
	Over Temperature	NO
Environment	Working Temp.	-20~60°C TC.90°C
	Working Humidity	20~95% RH non-condensing
	Storage Temp, humidity	-40~80°C 10-95% RH
	Temp. Coefficient	≤10%
Safety & EMC	Safety Standards <small>Note2</small>	UL Cul
	Withstand Voltage	3.75KV
	EMC Emission	YES
	EMC Immunity	YES
Others	MTBF	YES
	Dimension	80(L)*78(W)*25(H)mm
	Packing	About 0.17kg 50pcs/9.5kg
Note	1.	

Mechanical Specifications

Unit: mm
Tolerance: ± 0.5



PS1 Lifetime vs. Case Temperature



Version 4.10.1 Update: 2017-09-25

Copyright© 2017 Kili-LED Lighting Limited.
All rights reserved.