

Wall Pack Light

SWMA Semi-cutoff Wall Pack

IP65

120lm/w



The SWMA semi-cutoff LED wall pack has a traditional style, consumes 35 watts and replaces 100 watts metal halide wall packs. Construction consists of die-cast aluminum housing and a durable frosted polycarbonate lens to protect LEDs, the LED wall pack operates within a wide range input voltage 100-277VAC, comes in 5000K cool white color temperature. Also, semi-cutoff distribution redirects light below the horizon maximizing the light output and reducing energy waste. Available for J-BOX mounting or direct wall mounting with conduit. Optional field installable photocell available for dusk to dawn operation. It is ideal for both residential and commercial applications, including entryways, walkways, parking areas, landscape lighting, perimeter lighting, security lighting, etc.



Product Details



High efficient SMD LED chips with 100000hrs lifespans, and waterproof rubber ring design.



External installation design, easy to install.



High light transmittance lens, elegant.

Features:

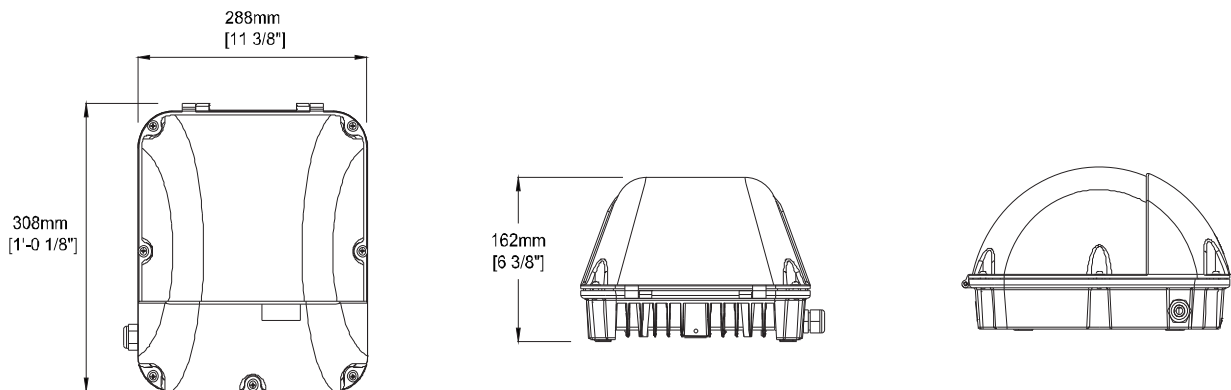
ETL/cETL listed for wet and outdoor locations / 120 lumens per watt / 100-277V input voltage / 0-10V dimming standard, 10-100% / Photocell included for dusk-to-dawn operation

Specifications:

SWMA Semi-cutoff wallpack (remark: XXK denotes the CCT , can be 30K 40K 50K the last X can be S or P , S denotes non-dimmable,P denotes dimmable)

ITEM	SPECIFICATION	KLSWMA35-XXKFX
GENERAL PERFORMANCE	Wattage(W)	35W
	Lumens Delivered (lm)	4200lm
	Efficacy (lm/W)	120lm/w
	CRI	>70
	Color Temperature	3000K/4000K/5000K
	L70	More than 50000hours
	Power Factor	0.98at 100VAC 0.90 at 277VAC
ELECTRICAL	Input Voltage	100-277VAC
	Housing	Die-cast aluminum body(Bronze/Black). PC diffuse
	Installation	Recessed outlet box or wall surface
PHYSICAL	Operating temperature	-30℃ Up to 50℃ (-22℉ up to 122℉).
	Environment	damp/wet locations
CERTIFICATION	Warranty	5 years
	Certification	ETL/cETL

Dimension: (mm/in)



Photometric:

