

LED Vapor Tight / Linear Fixture Luminaries

(VFR series) Installation Guide

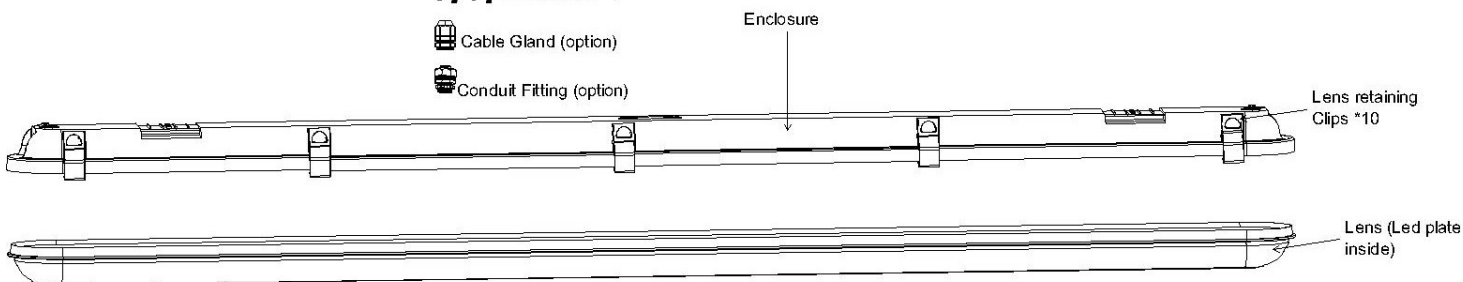
IK08/Wet Location

! Warning:

- Turn power off before inspection, installation or removal.
- Properly ground electrical enclosure.
- Make sure all install firmly.
- After installation cannot open the luminaries for cleaning and maintain.
- Use only UL approved wire for input/output connections, Minimum size 18 AWG.

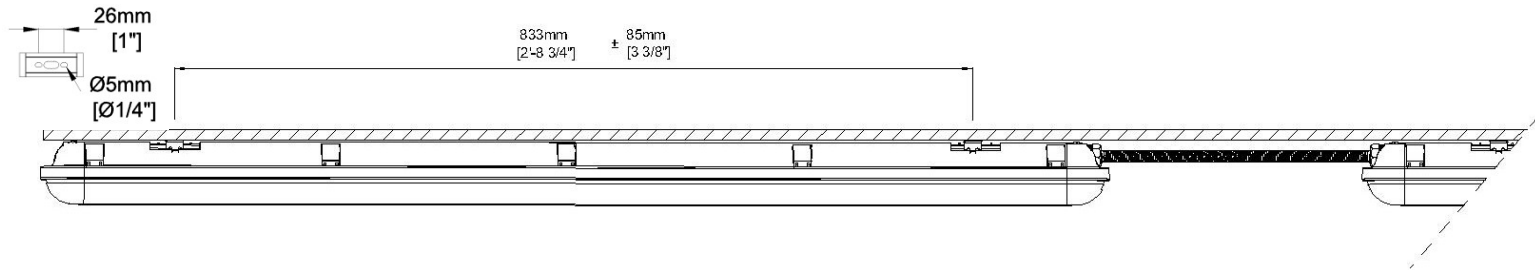
Systems Included:

- Suspension Cable *2 (option)
- Mounting Bracket *2
- Plastic wall anchor*4
- install Screw *4
- Cable Gland (option)
- Conduit Fitting (option)

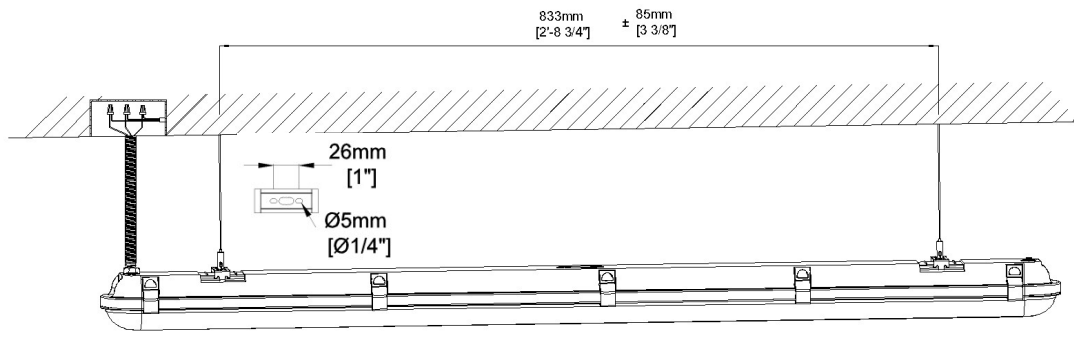


Mounting:

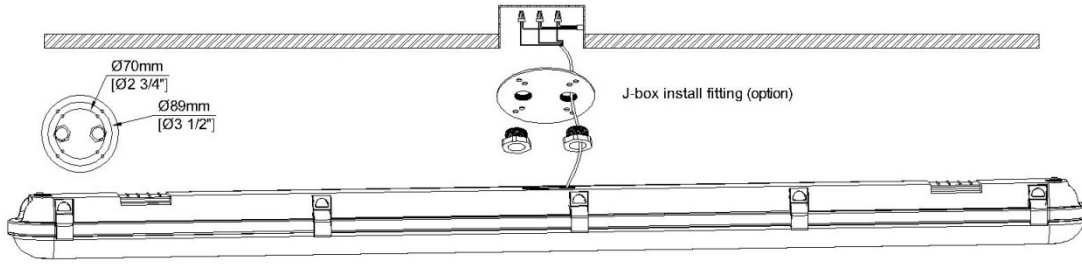
Surface Mounting Option (Connect 10 units max)



Suspended Mounting Option(Connect 10 units max)

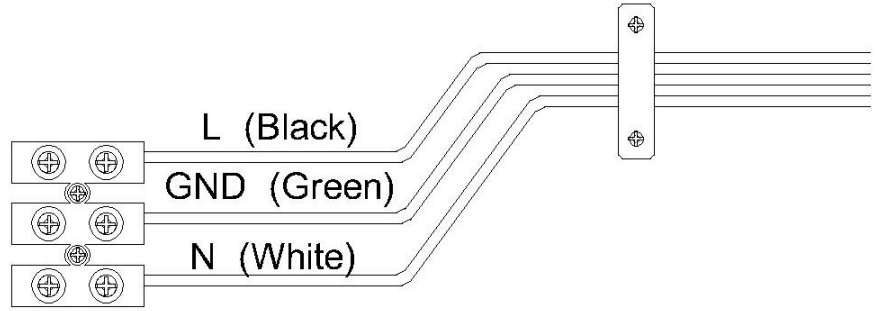


J-Box Mounting Option



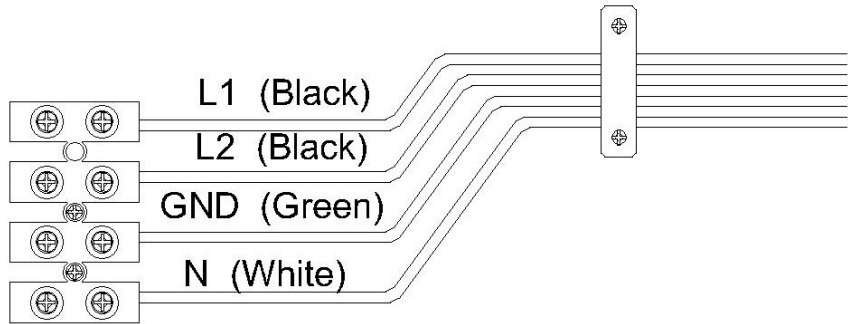
Wiring:

- L (Live Line)
- GND (Ground)
- N (Null Line)



Wiring of Standard

- L1 (on-off Switch)
- L2 (Electric Supply)
- GND (Ground)
- N (Null Line)



Wiring of Emgency