

# VFN Series

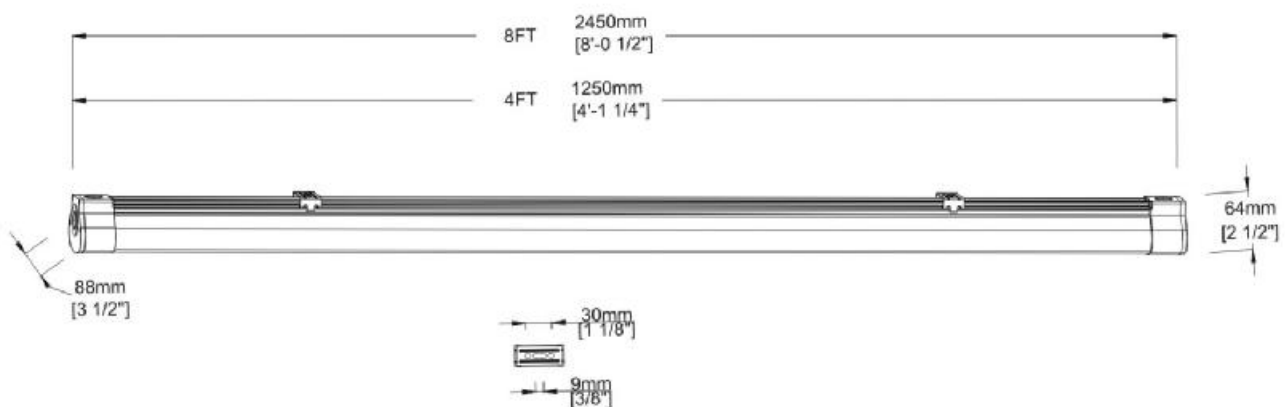
The VFN Slim LED vapor tight fixture is designed for maximum durability in harsh environmental conditions. The housing is made from a single mold, polycarbonate materials and its end-caps are tightly fixed which allows for optimal water and dust resistance. Consequently, it functions well in wet or dusty environments. This LED vapor tight fixture has a high luminous efficiency of 130lm per watt, resulting in minimum energy consumption. This light fixture is easy to install and can be fitted either as a suspending light or on a surface mount. Its compact design, low maintenance features and simple installation process make the vapor tight fixture an ideal choice for indoor or outdoor locations, such as warehouses, garages, stairwells, factories, other wet and harsh environment



## FEATURES

- UL/cUL listed for wet locations, IP66 rated
- DLC 4.4 Premium certified
- 130 lumens per watt
- 100-277VAC universal voltage
- ON/OFF PIR Motion Sensor available
- Integrated slim and durable design
- Quick and easy installation without opening the fixture

## DIMENSION:(mm/in)



# VFN Series

## APPLICATIONS

- Wet areas
- Outside walkways
- Warehouses
- Storage areas
- Industrial units
- Farm buildings (Non-corrosive atmosphere)
- Garages
- Workshops
- Car parks
- Changing rooms
- Resistant to impact and many chemical agents, but for suitability in specific environments please take specialist advice

## CONSTRUCTION

- Grey coloured polycarbonate
- Polycarbonate diffuser integrated with powder coated lighting tray
- Stainless steel clips
- Reinforced drill points in base for direct surface fixing, or conduit suspension.
- Stainless steel surface mounting clips
- Can also be suspended from wire/chain using clips provided



Supermarket



Farm buildings



Parking lot lighting



Warehouses

## PRODUCT DETAILS



UL approved connectors for quick-connect wiring without the use of a tool.



3.0mm thickness engineering plastics, V0 fire rating



Common mounting brackets for easy maintenance and replacement.

## VFN Series

### TECHNICAL SPECIFICATION

- Input Voltage : 100-277VAC
- Driver Type : UL certified high efficiency Driver
- Luminous Efficacy : up to 130lm/w
- Colour Rendering Index : > 80Ra
- LED Type : LM80 SMD2835
- Operating : Temperature:-40°C up to 50°C (-40°F up to 122°F)
- Color Temperature : 4000K/5000K/
- Material : Polycarbonate
- Ingress Protection : IP66
- Impact Rating : IK08
- Rated Life : 50,000 hours
- Warranty : 5 years

Family Model and Variation:

**VFNO18-XXXS[S]-VFVO18** = Family Series 018=18W;  
 "XXX" denotes CCT, could be 40K: 4000K, 50K: 5000K;  
 F = Frosted cover, C= Clear cover;  
 S = Non-dimmable;

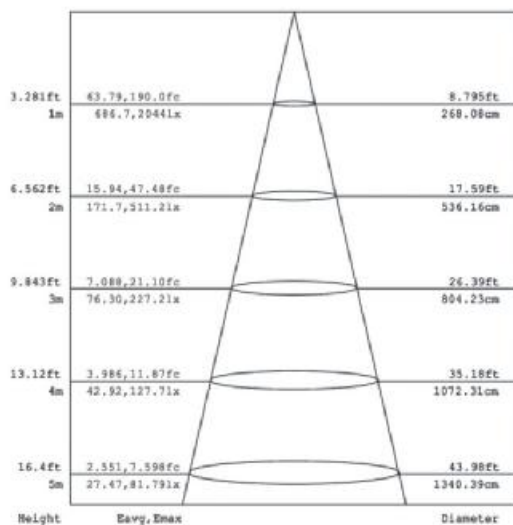
USL, CNL - Light-emitting-diode surface-mounted Luminaires,

Models **VFNO18-XXXS**, **VFNO36-XXXS**, **VFNO60-XXXS**.

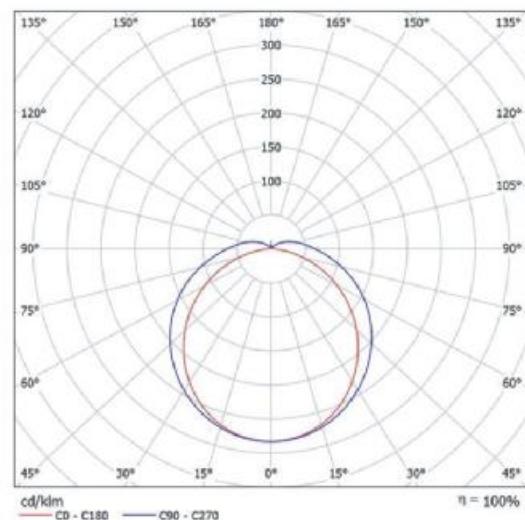
Produce Code	VFNO18-XXXS	VFNO36-XXXS	VFNO60-XXXS
<b>Power Consumption(W)</b>	18W	36W	60W
<b>Lumens Delivered (lm)</b>	2340lm(Frosted cover)	4600lm(Frosted cover)	7800lm(Frosted cover)
<b>Efficacy (lm/W)</b>	130lm/w(Frosted cover)	130lm/w(Frosted cover)	130lm/w(Frosted cover)
<b>Beam Angle</b>	120°	120°	120°
<b>CRI</b>	80	80	80
<b>Power Factor</b>	>0.9	>0.9	>0.9
<b>Housing</b>	PC	PC	PC
<b>Installation</b>	Surface Mount/ Chain	Surface Mount/ Chain	Surface Mount/ Chain
<b>Operating Temperature</b>	-40°C up to 50°C (-40°F up to 122°F)	-40°C up to 50°C (-40°F up to 122°F)	-40°C up to 50°C (-40°F up to 122°F)
<b>Certification</b>	UL/cUL	UL/cUL, DLC Premium	ETL/cETL, DLC Premium

### LUMINAIRE PHOTOMETRIC

Cone Illuminance Diagram:



Luminous Intensity Distribution Diagram:





# VFN Series

The IP66 non-corrosive that outperforms its competitors



**GOOD THERMAL MANAGEMENT.** UL certified high efficiency Driver installed on separate heat sink gear tray for good thermal management and long-life.



**ALL-POLYCARBONATE CONSTRUCTION.** V0 fire retardant polycarbonate ensure high standard of safety and maximum impact rate of IK08.



**REVOLUTIONARY DESIGN.** PCB with 4KV withstand voltage rating.

**MICRO-WAVE & EMERGENCY AVAILABLE.**  
Suitable for various kinds of applications.

**Not all non-corrosives are the same. If you are offered a lower-cost alternative to the VFN, check you are comparing like with like:**

- 5 years warranty is standard on VFN.
- UL/DLC approved and DLC 4.4 premium on VFN.



# VFN Series

## YM2501A 360° HI-BAY PIR FIXTURE MOUNT PLUG-IN OCCUPANCY SENSOR (Adapter,sold separately)



### SPECIFICATIONS

Voltage:120/277VAC,60Hz  
 Load requirement:800VA@120VAC Fluorescent Ballasts No Min  
 1200VA@277VAC Fluorescent Ballasts No Min  
 Load Horsepower:1/6 HP  
 Time Delay Adjustment: Fixed 15 seconds to 30 minutes  
 Operating temperature:32° to 131°F (0°to 55°C )  
 Humidity range:0%-90%RH,non-condensing  
 Coverage range:up to 30ft mounting/0360 Degrees  
 Terminal Line:Black-Hot,White-Neutral,Road-Load

### PHYSICAL SPECS

SIZE 3.55" Hx3.55" Wx1.57"D  
 (9.02cmx9.02cmx4.0cm)  
 WEIGHT 5 oz  
 MOUNTING 1/2 knockout

### Coverage Area

Best choice for 15 to 30 ft (4.57m to 9.1m) mounting heights  
 15 to 20 ft (4.57 to 6.1m) radial coverage overlaps area lit  
 by a typical high bay fixture (refer to Fig 1).

### DESCRIPTION AND OPERATION

The Ym250 1A Occupancy sensor is designed to replace a standard light or fan switch.

It is ideal for high mounted areas such as warehouses, manufacturing and other high ceiling applications.

### Sensor Operation

The sensor detects changes in the infrared energy given off by occupants as they move within the field-of-view. When occupancy is detected, a self-contained relay switches the connected lighting load on. The sensor is line powered and can switch line voltage. An internal timer, factory set at 15 seconds, keeps the lights on during brief periods of inactivity.

### Initial power-up (30 seconds warm-up)

The sensor's relay is shipped in a latched closed position so the lights will come on upon initial power-up. The lights contacted with sensor will keep on working during the 30 seconds warm-up period, and the LED in the sensor will blink during this period. If the lights do not immediately turn on (initial installation only) the latching relay opened during shipment and will close after warm-up period is over.

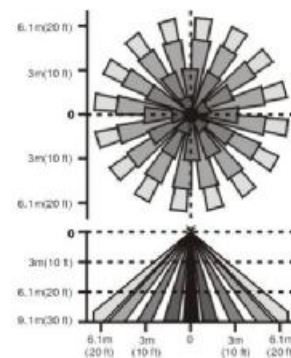


Fig 1(Sensor Coverage Area)

**Windows, glass doors, and other transparent barriers will obstruct the sensor's view and prevent detection.**

Note: The coverage data is measured under the best temperature condition (20-25), and a higher temperature may not lead to an ideal coverage.

## PACKAGING

Model No.	Qty (pcs)	L*W*H (CM)	NW. (kgs)	G.W. (kgs)	Meas. (CBM)
			Per CTN	Per CTN	Per CTN
VFN018	12	133*31.5*31CM	16.2	22.3	0.13
VFN036	12	133*31.5*31CM	16.32	22.5	0.13
VFN060	4	254.5*18.5*24CM	14	17.4	0.11