

# VFC Series

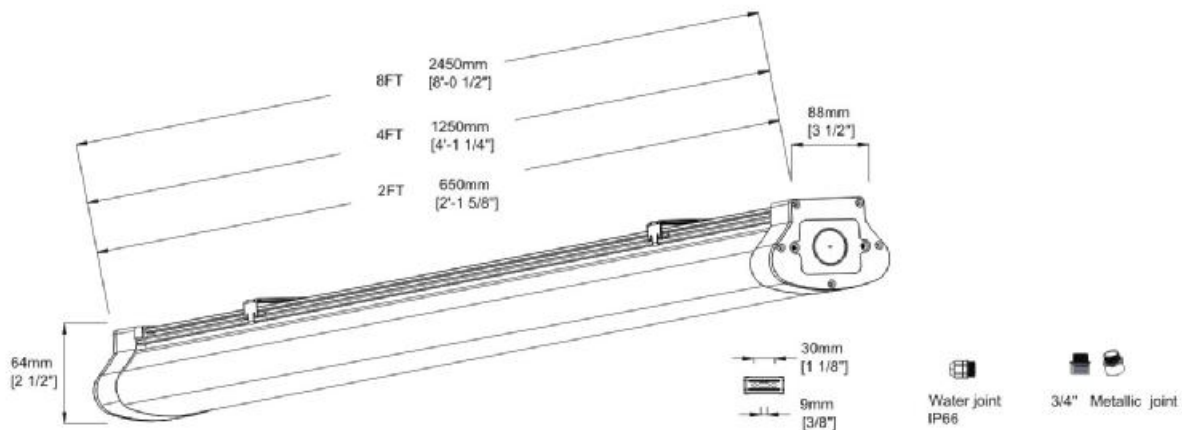
The VFC LED linear waterproof fixture is designed for maximum durability in harsh environmental conditions. The housing is made from a single mold, polycarbonate materials and its end-caps are tightly fixed which allows for optimal water and dust resistance. Consequently, it functions well in wet or dusty environments. The internal aluminum core deals with the heat from the LED chips and assures a long lifespan. This LED waterproof fixture has a high luminous efficiency of 130lm per watt, resulting in minimum energy consumption. This light fixture is easy to install and can be fitted either as a suspending light or on a surface mount. Its compact design, low maintenance features and simple installation process make the waterproof fixture an ideal choice for indoor or outdoor locations, such as warehouses, garages, stairwells, factories, other wet and harsh environments.



## FEATURES

- ETL/cETL listed for wet locations, IP66 rated
- DLC 4.4 Premium certified
- 130 lumens per watt
- 100-277V or 250-480V universal voltage
- 0-10V dimming standard
- Microwave Motion Sensor with remote controller for Bi-Level control
- Integrated slim and durable design

## DIMENSION:(mm/in)



# VFC Series

## APPLICATIONS

- Wet areas
- Outside walkways
- Warehouses
- Storage areas
- Industrial units
- Farm buildings (Non-corrosive atmosphere)
- Garages
- Workshops
- Car parks
- Changing rooms
- Resistant to impact and many chemical agents, but for suitability in specific environments please take specialist advice

## CONSTRUCTION

- Grey coloured polycarbonate
- Polycarbonate diffuser integrated with powder coated lighting tray
- Stainless steel clips
- Reinforced drill points in base for direct surface fixing, or conduit suspension.
- Stainless steel surface mounting clips
- Can also be suspended from wire/chain using clips provided



Supermarket



Farm buildings



Parking lot lighting



Warehouses

## PRODUCT DETAILS



UL approved connectors for quick-connect wiring without the use of a tool.



High quality aluminum heatsink for a longer lifespan.



Common mounting brackets for easy maintenance and replacement.



## VFC Series

### TECHNICAL SPECIFICATION

- Input Voltage : 100-277VAC or 250-480VAC
- Driver Type : UL Approved Flicker-free
- Luminous Efficacy : up to 130lm/w
- Colour Rendering Index : > 80Ra
- LED Type : LM80 SMD2835
- Operating : Temperature:-40°C up to 50°C (-40°F up to 122°F)
- Color Temperature : 4000K/5000K/
- Material : Polycarbonate Body & Diffuser
- Ingress Protection : IP66
- Impact Rating : IK08
- Rated Life : 50,000 hours
- Warranty : 5 years

Family Model and Variation:

**VFC4F-XXXX[P,S]-[Blank,SR,EM,RM]** VFC4F = Family Series;  
 "XXX" denotes CCT, could be 40K: 4000K, 50K: 5000K;  
 F = Frosted cover, C= Clear cover;  
 [P,S] denotes capability of dimming, P = 0-10 V dimming,  
 S = Non-dimmable;

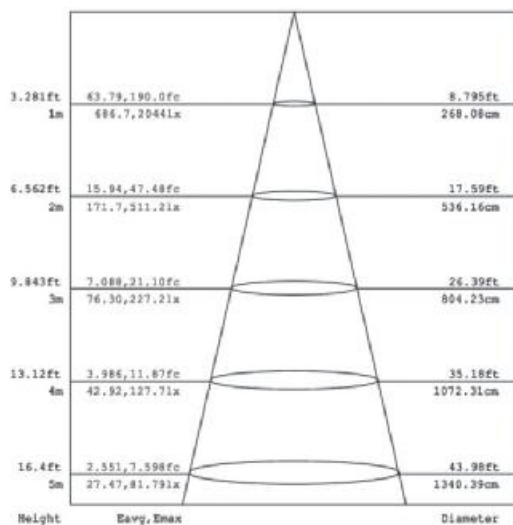
USL, CNL – Light-emitting-diode surface-mounted Luminaires,  
 Models **VFC2F-XXXXP, VFC4F-XXXXP, VFC8F-XXXXP,**  
**HVFC2F-XXXXP, HVVFC4F-XXXXP, HVVFC8F-XXXXP,**

KLVFC2F, KLVFC4F, KLVFC8F, KLHVFC2F, KLHVFC4F, KLHVFC8F, VFOHV040, VFOHV054, VFO020, VFO080, VFO100, VFN060 or VFN060-LC; followed by -; followed by 30K, 40K, 45K, 50K or 57K; followed by F or C; followed by P or S.KLSWMA35 or KLHVWPFC150; followed by -; followed by 30K, 40K, 50K or 57K; followed by P or S

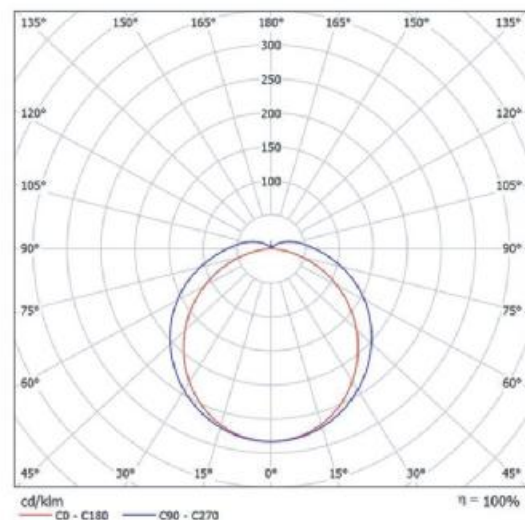
Produce Code	KLVFC2F-XXXXP	KLVFC4F-XXXXP	KLVFC8F-XXXXP	KLHVFC2F-XXXXP	KLHVFC4F-XXXXP	KLHVFC8F-XXXXP
<b>Power Consumption(W)</b>	15W	30W	60W	15W	30W	60W
<b>Lumens Delivered (lm)</b>	2000lm	4000lm	8000lm	2000lm	4000lm	8000lm
<b>Efficacy (lm/W)</b>	130lm/w	130lm/w	130lm/w	128lm/w	128lm/w	128lm/w
<b>Beam Angle</b>	120°	120°	120°	120°	120°	120°
<b>CRI</b>	80	80	80	80	80	80
<b>Power Factor</b>	>0.9	>0.9	>0.9	>0.9	>0.9	>0.9
<b>Housing</b>	PC	PC	PC	PC	PC	PC
<b>Installation</b>	Surface Mount/ Chain/ J-Box Mounting	Surface Mount/ Chain/ J-Box Mounting	Surface Mount/ Chain/ J-Box Mounting	Surface Mount/ Chain/ J-Box Mounting	Surface Mount/ Chain/ J-Box Mounting	Surface Mount/ Chain/ J-Box Mounting
<b>Operating Temperature</b>	-40°C up to 50°C (-40°F up to 122°F)	-40°C up to 50°C (-40°F up to 122°F)	-40°C up to 50°C (-40°F up to 122°F)	-40°C up to 50°C (-40°F up to 122°F)	-40°C up to 50°C (-40°F up to 122°F)	-40°C up to 50°C (-40°F up to 122°F)
<b>Certification</b>	ETL cETL, DLC Premium	ETL cETL, DLC Premium	ETL cETL, DLC Premium	ETL cETL	ETL cETL	ETL cETL

### LUMINAIRE PHOTOMETRIC

Cone Illuminance Diagram:



Luminous Intensity Distribution Diagram:

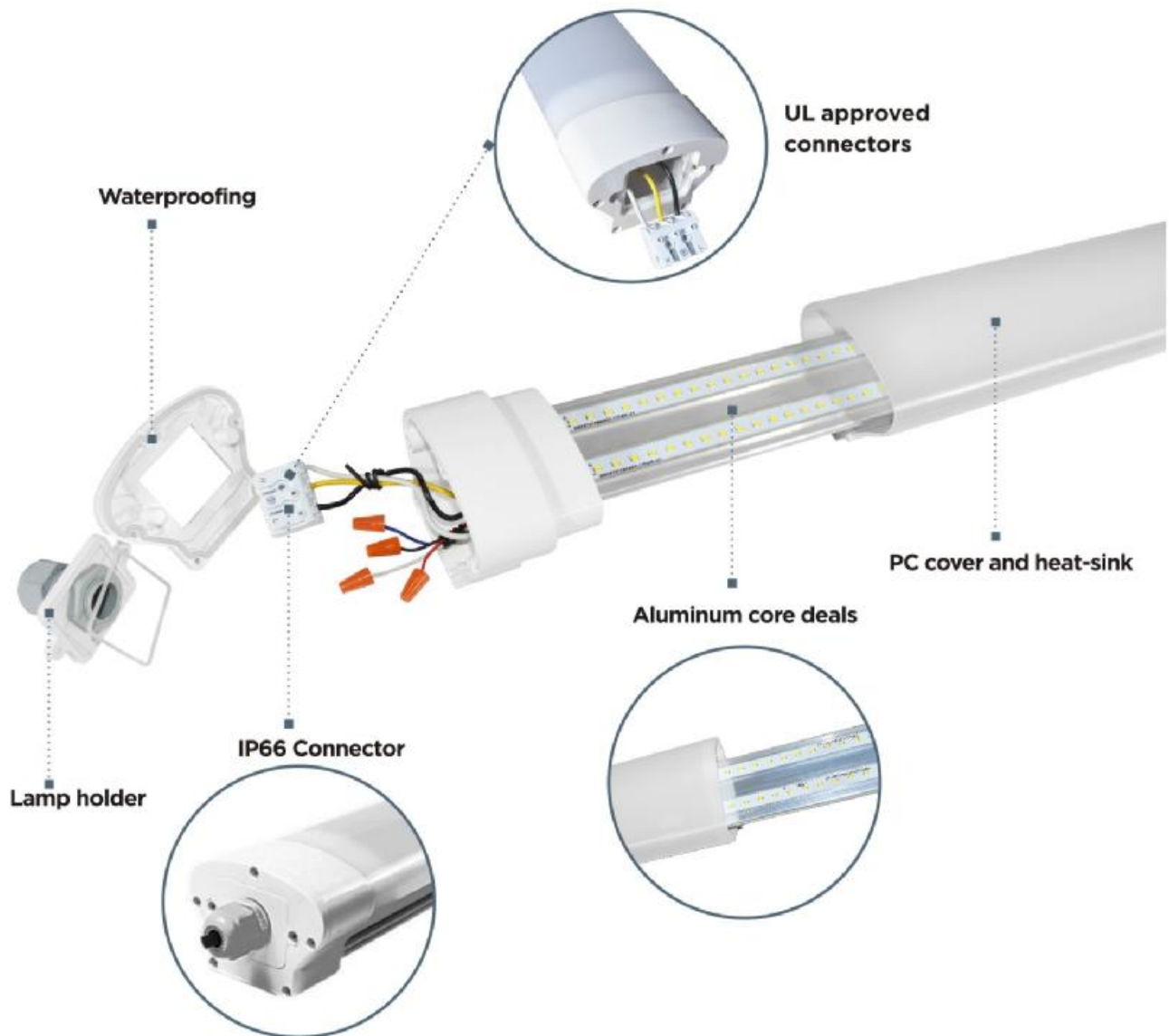






# VFC Series

The IP66 non-corrosive that outperforms its competitors



**Not all non-corrosives are the same. If you are offered a lower-cost alternative to the VFC, check you are comparing like with like:**

- 5 years warranty is standard on VFC.
- UL/DLC approved, 50, 000 hour flicker-free drivers are standard on VFC.

# VFC Series

## Microwave Motion Sensor Module Remote Controllable

### Features

- 5.8GHz C-band microwave.
- Input voltage 12V DC (5V DC version available on request).
- Input current:  $\geq 25\text{mA}$ .
- 1-10V DC signal.
- Super compact, flexible to be integrated into any suitable fixtures.
- Dual-PD technology, real Daylight monitoring function for built-in application.
- IR remote commissioning, easy setting and user friendly.
- Detection range up to 12m in diameter
- Mounting height: 3-6m.
- Operation temperature:  $-20\text{ C} - + 70\text{ C}$ .
- RoHS compliant.



IR12

### Settings

#### 1 Detection range

Detection range can be reduced by selecting the combination on the DIP switches to fit precisely each application.

	1		
I	<input checked="" type="radio"/>	100%	ON ● OFF ○
II	<input type="radio"/>	50%	

#### 2 Hold-time

Hold-time means the time period to keep the lamp on 100% after motion detected.

\*when hold-time set as 3s, sensor enters into test mode, this test mode is mainly for users to choose the desired detection range. In this mode, the daylight sensor is disabled, when there is no motion, fixture keeps off, when there is motion detected, fixture keeps a cycle of 3s on and 2s off.

	2	3	
I	<input checked="" type="radio"/>	<input checked="" type="radio"/>	T3s*
II	<input checked="" type="radio"/>	<input type="radio"/>	1min
III	<input type="radio"/>	<input checked="" type="radio"/>	5min
IV	<input type="radio"/>	<input type="radio"/>	20min

#### 3 Daylight sensor

Daylight sensor means the daylight threshold to enable or disable the sensor function.

"Disable": The sensor works always, even during daylight.

"50lux": The sensor works only in twilight.

"10lux, 2lux": The sensor works only in the dark.

	4	5	
I	<input checked="" type="radio"/>	<input checked="" type="radio"/>	Disable
II	<input checked="" type="radio"/>	<input type="radio"/>	50lux
III	<input type="radio"/>	<input checked="" type="radio"/>	10lux
IV	<input type="radio"/>	<input type="radio"/>	2lux

#### 4 Stand-by period

This is the time period that the lamp remains at a low light level before it is completely switched off in the long absence of people.

"+ 8 ": means bi-level dimming control, the fixture never switch off.

	6	7	
I	<input checked="" type="radio"/>	<input checked="" type="radio"/>	10s
II	<input checked="" type="radio"/>	<input type="radio"/>	10min
III	<input type="radio"/>	<input checked="" type="radio"/>	30min
IV	<input type="radio"/>	<input type="radio"/>	+∞

#### 5 Stand-by dimming level

This is the dimmed low light level you would like to have after the hold-time in the absence of people.

	8		
I	<input checked="" type="radio"/>	20%	ON ● OFF ○
II	<input type="radio"/>	50%	



# VFC Series

## PACKAGING

Model No.	Qty (pcs)	L*W*H (CM)	NW. (kgs)	G.W. (kgs)	Meas. (CBM)
			Per CTN	Per CTN	Per CTN
VFC2F	12	73*31.5*31CM	10.5	13.5	0.07
VFC4F	8	133*31.5*21CM	15.2	18	0.09
VFC8F	4	254.5*18.5*24CM	14	17.2	0.11