

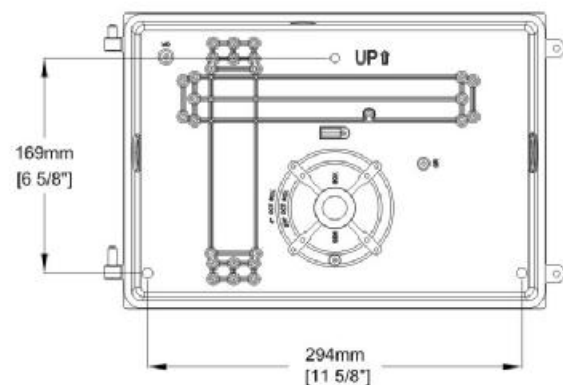
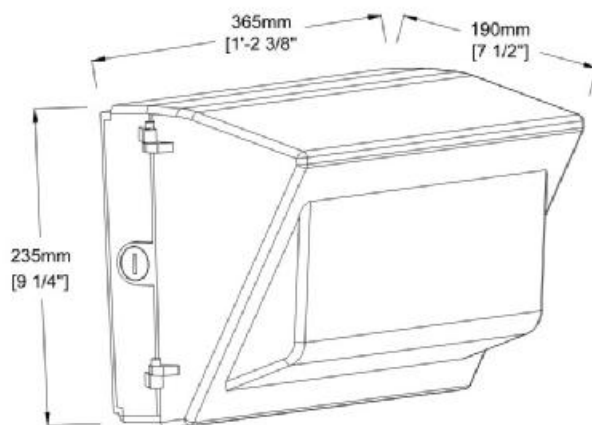


WPGR Series

The classic version replicates the classic design of a traditional wall pack luminaire. Simply convert your old technology to LED without changing the look you like! Construction consists of die-cast aluminum housing and a shatter-proof glass refractor, non-yellowing lens. This LED wall pack can be 0-10V dimmable and installed with photocell sensor. Easily mount the light on a recessed junction box, or wall surface mount and wire through conduit. LED wall packs are more energy efficient and can lower maintenance costs in the long run.



DIMENSION:(mm/in)



WPGR Series

CONSTRUCTION

- Heavy duty die-cast aluminum housing, fully sealed to be dirt and bug proof
- High quality shatterproof glass refractor
- Integral secondary heat sink to optimize thermal transfer and maximize performance and life of LED
- Driver is mounted in direct contact with the casting for a low operating temperature and long life
- Polyester powder-coated finish, rust and corrosion proof
- Stabilized to extreme climate changes without cracking or peeling
- Brown (other Finish, please call us for quotation)

APPLICATIONS

- Wet areas
- Outside walkways
- Farm buildings
(Non-corrosive atmosphere)
- Garages
- Building lighting
- Packing lot lighting
- Entryway
- Storage warehouses
- Security lighting

FEATURES

- ETL/cETL listed for wet and outdoor locations
- DLC 4.4 certified
- 120 lumens per watt
- 100-277VAC or 347-480VAC input voltage
- 0-10V dimming optional
- Photo sensor, wire guard, light visor, motion sensor optional



Entryway lighting



Parking lot lighting



Dorways lighting



Building lighting

OPTIONAL



Wire Guard



Light Visor



PC Cover

WPGR Series

TECHNICAL SPECIFICATION

- Input Voltage : 100-277VAC or 347-480VAC
- Driver Type : UL High performance LED drive.
- Power factor : >99%, THD <15 %
- Luminous Efficacy : up to 120lm/w
- Colour Rendering Index : > 70Ra
- LED Type : High performance LM80 SMD3030 LED
- Operating Temperature : -30°C up to 50°C (-22°F up to 122°F)
- Color Temperature : 3000K/4000K/5000K/5700K
- Material : Aluminum Housing & Shatter-Proof Glass Refractor
- Ingress Protection : IP65
- Impact Rating : IK08
- Rated Life : 50,000 hours
- Warranty : 5 years

Models

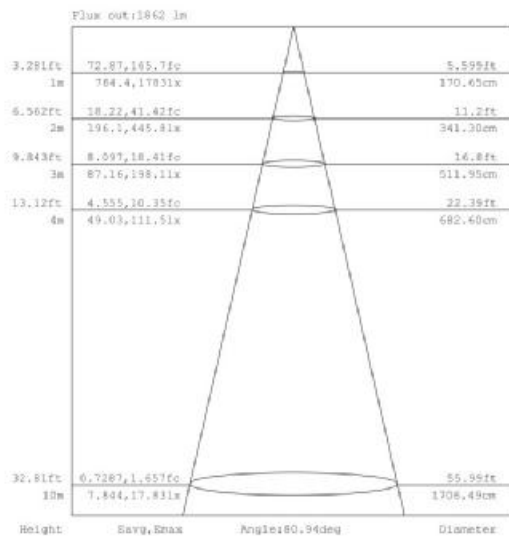
For example (KLWPGR040-50KFP)

Family	Wattage	Separator	CCT	Angle	Driver Type
KLWPGR:					
KILI-LED	040:40W		30K:3000K	F:	S: Non-dim
Glass Refractor	060:60W		40K:4000K	Semi-cut	ming
LED Wall pack	090:90W		50K:5000K	off	P: 1-10v
(100-277VAC)	120:120W		57K:5700K		dimming
KLHVWPGR:					
KILI-LED	040:40W		30K:3000K	C:	
Glass Refractor	060:60W		40K:4000K	Full-cut	
LED Wall pack	090:90W		50K:5000K	off	
(347-480VAC)	120:120W		57K:5700K		

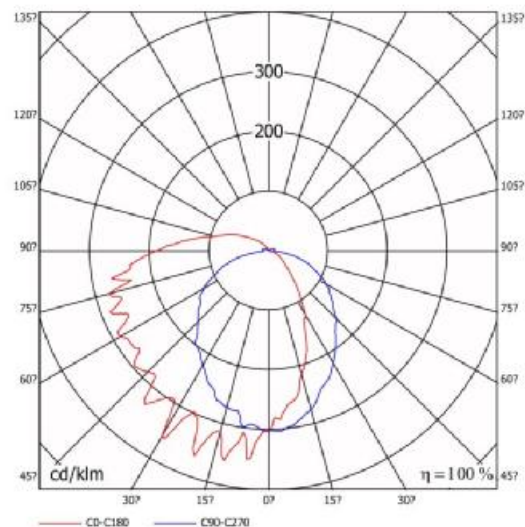
Produce Code	KLWPGR040-XXKYZ	KLWPGR060-XXKYZ	KLWPGR090-XXKYZ	KLWPGR120-XXKYZ	KLHVWPGR040-XXKYZ	KLHVWPGR060-XXKYZ	KLHVWPGR090-XXKYZ	KLHVWPGR120-XXKYZ
Power Consumption(W)	40W	60W	90W	120W	40W	60W	90W	120W
Lumens Delivered (lm)	4800lm	7200lm	10400lm	14283lm	5200lm	7900lm	10600lm	15400lm
Efficacy (lm/W)	120lm/w	127lm/w	117lm/w	122lm/w	124lm/w	123lm/w	120lm/w	127lm/w
CRI	>70	>70	>70	>70	>70	>70	>70	>70
Input Voltage	100-277VAC	100-277VAC	100-277VAC	100-277VAC	347-480VAC	347-480VAC	347-480VAC	347-480VAC
Power Factor	0.96at 100VAC 0.90at 277VAC	0.98at 100VAC 0.90at 277VAC	0.98at 100VAC 0.90at 277VAC	0.98at 100VAC 0.90at 277VAC	>0.9	>0.9	>0.9	>0.9
Housing	Die-cast aluminum body(Bronze/Black). Glass diffuse	Die-cast aluminum body(Bronze/Black). Glass diffuse	Die-cast aluminum body(Bronze/Black). Glass diffuse	Die-cast aluminum body(Bronze/Black). Glass diffuse	Die-cast aluminum body(Bronze/Black). Glass diffuse	Die-cast aluminum body(Bronze/Black). Glass diffuse	Die-cast aluminum body(Bronze/Black). Glass diffuse	Die-cast aluminum body(Bronze/Black). Glass diffuse
Installation	Recessed outlet box or wall surface	Recessed outlet box or wall surface	Recessed outlet box or wall surface	Recessed outlet box or wall surface	Recessed outlet box or wall surface	Recessed outlet box or wall surface	Recessed outlet box or wall surface	Recessed outlet box or wall surface
Operating Temperature	-30°C up to 50°C (-22°F up to 122°F)	-30°C up to 50°C (-22°F up to 122°F)	-30°C up to 50°C (-22°F up to 122°F)	-30°C up to 50°C (-22°F up to 122°F)	-30°C up to 50°C (-22°F up to 122°F)	-30°C up to 50°C (-22°F up to 122°F)	-30°C up to 50°C (-22°F up to 122°F)	-30°C up to 50°C (-22°F up to 122°F)
Certification	ETL/cETL/DLC	ETL/cETL/DLC	ETL/cETL/DLC	ETL/cETL/DLC	ETL/cETL/DLC	ETL/cETL/DLC	ETL/cETL/DLC	ETL/cETL/DLC

LUMINAIRE PHOTOMETRIC (40W)

Cone illuminance Diagram:



Luminous Intensity Distribution Diagram:



WPGR Series

Wall pack lights sales champion,
quality is better than peers.



REVOLUTIONARY DESIGN. Lightly frosted glass, to reduce glare without reducing light efficiency.



GOOD THERMAL MANAGEMENT. Internal heatsink design, for good heat dissipation and be elegant.



Construction consists of die-cast aluminum housing and a shatter-proof glass refractor, non-yellowing lens

Fully compatible with traditional HID Wallpack installation.



Fixtures and electrical components are UL certified to USA and Canada standards; and also CE and RoHS listed for Europe market.

- IP65 rated and suitable for wet locations
- LM79 and LM80



WPGR Series

PACKAGING

Model No.	Qty (pcs)	L*W*H (CM)	NW. (kgs)	G.W. (kgs)	Meas. (CBM)
			Per CTN	Per CTN	Per CTN
KLWPGR040	1	39.5*28*24.5cm	3.26	3.84	0.027097
KLWPGR060	1	39.5*28*24.5cm	3.32	3.9	0.027097
KLWPGR090	1	39.5*28*24.5cm	3.67	4.25	0.027097
KLWPGR120	1	39.5*28*24.5cm	4.1	4.64	0.027097