

FL Series

The FL very high-out LED flood light is designed as efficient, energy-saving replacement for metal halide and high-pressure sodium flood lighting fixture. The high power LED heat sink has perfectly replaced the traditional 1000W to 3000W sodium lamp, this energy-saving cutting edge innovation fills the gap in the LED heat sink market. The heat pipe and massive aluminum fins cooling technology, efficiently reduce the temperature of LEDs and extend the lifetime of lamp. Various beam angles of the reflector are 50°x90°/10°x90°(1000W), 60°x90°/30°x90°/25°/45°/60°/90°/100°(500W), reflection rate is up to 92%. Easy to install, solid in structure, super heat dissipation, the light is for a very wide range of applications, such as industrial plants, stadiums, docks, golf courses, architectural lighting, squares and other indoor .



500W



1000W



FEATURES :

- ETL/cETL listed for wet locations, IP65 rated
- 100 lumens per watt
- 100-277V or 200-480V universal voltage
- 0-10V dimming optional
- High power LED heat sink
- Heat pipe and massive aluminum fins cooling technology



FL Series

APPLICATIONS

- Industrial plants
- Stadiums
- Docks
- Golf courses
- Landscape
- Architectural lighting
- Squares
- Exhibition hall

CONSTRUCTION

- The heat pipe and massive aluminum fins cooling technology
- Various beam angles of the reflector are 50°x90°/10°x90°(1000W), 60°x90°/30°x90°/25°/45°/60°/90°/100°(500W)
- High lumens with efficacy up to 100 lumens per watt
- Reflection rate is up to 92%
- Integrated modules design for easy installation, rotatable mounting bracket.



Football court



Stadiums



Landscape



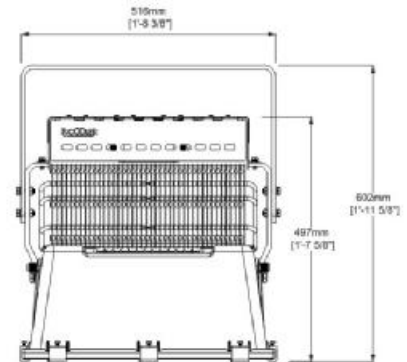
Buildings

DIMENSION:(mm/in)

KLFL0500WC



KLFL1000WC



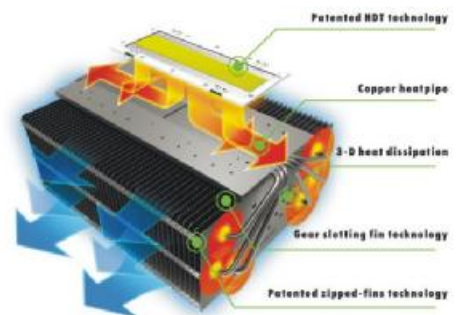
PRODUCT DETAILS



Pure copper heatpipe heat dissipation design to ensure 50000hrs lifespans.



Rotatable mounting bracket.



FL Series

TECHNICAL SPECIFICATION:

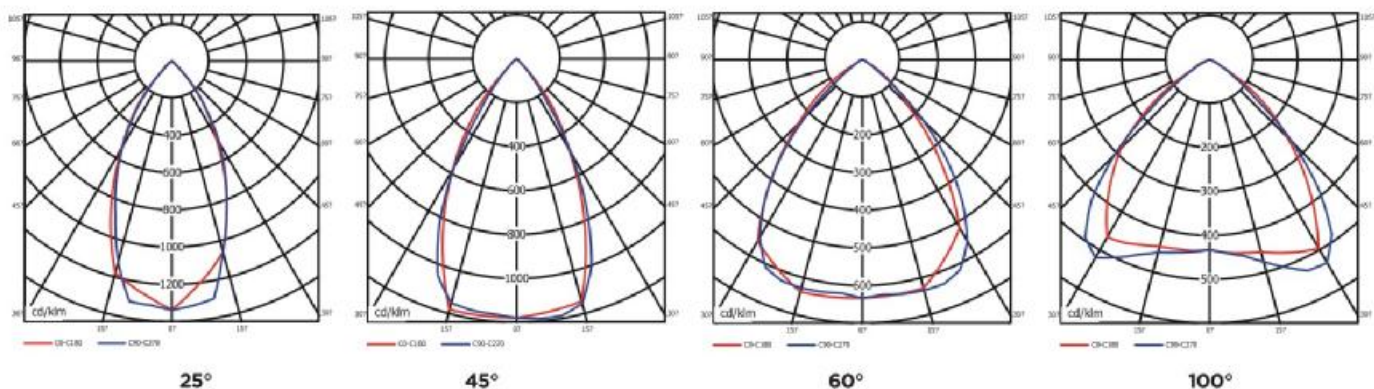
- Input Voltage : 100-277VAC or 200-480VAC
- Luminous Efficacy : up to 100lm/w
- Colour Rendering Index : > 70Ra
- Power Factor : >0.9
- Operating Temperature : -30°C up to 50°C (-22°F up to 122°F)
- Color Temperature : 3000K/4000K/5000K/5700K
- Lens : High reflector, Glass cover
- Ingress Protection : IP65
- Impact Rating : IK08
- Beam Angle : 50°x90°/10°x90°(1000W)
60°x90°/30°x90°/25°/45°/60°/90°/100°(500W)
- Housing : aluminum body(Black). Copper in heat sink,
- Installation: Knuckle mount
- Environment : damp/wet locations
- Certification : ETL/cETL
- Rated Life : 50,000 hours
- Warranty : 5 years

SPECIFICATIONS :

Produce Code	KLFL0500WC	KLFL1000WC	KLHVFL0500WC	KLHVFL1000WC
Power Consumption(W)	500	1000	500	1000
Lumens Delivered (lm)	50000	100000	50000	100000
Efficacy (lm/W)	100	100	100	100
CRI	>70	>70	>70	>70
Color Temperature	3000K/4000K/5000K/5700K	3000K/4000K/5000K/5700K	3000K/4000K/5000K/5700K	3000K/4000K/5000K/5700K
Beam Angle	60°x90°/30°x90°/25°/45°/60°/90°/100°	10°90°/50°90°	60°x90°/30°x90°/25°/45°/60°/90°/100°	10°90°/50°90°
Input Voltage	100-277VAC	100-277VAC	200-480VAC	200-480VAC
Power Factor	0.98at 100VAC 0.90at 277VAC	0.98at 100VAC 0.90at 277VAC	>0.9	>0.9
L 70	More than 50000hours	More than 50000hours	More than 50000hours	More than 50000hours
Housing	aluminum body(Black). Copper in heat sink. High reflector, Glass cover	aluminum body(Black). Copper in heat sink. High reflector, Glass cover	aluminum body(Black). Copper in heat sink. High reflector, Glass cover	aluminum body(Black). Copper in heat sink. High reflector, Glass cover
Installation	Knuckle mount	Knuckle mount	Knuckle mount	Knuckle mount
Operating Temperature	-30°C up to 50°C (-22°F up to 122°F)	-30°C up to 50°C (-22°F up to 122°F)	-30°C up to 50°C (-22°F up to 122°F)	-30°C up to 50°C (-22°F up to 122°F)
Certification	ETL/cETL	ETL/cETL	ETL/cETL	ETL/cETL

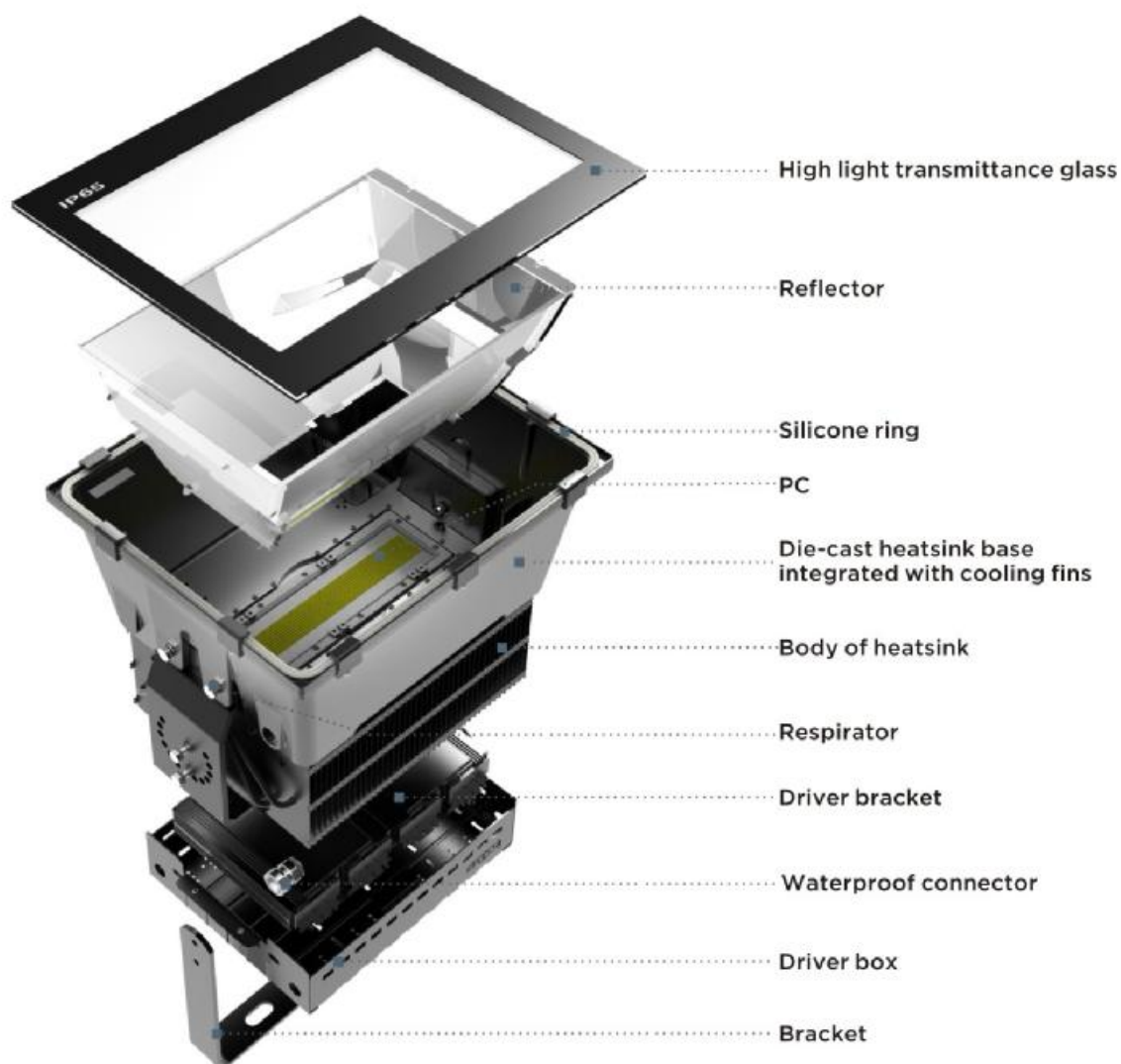
LUMINAIRE PHOTOMETRIC

Luminous Intensity Distribution Diagram:



FL Series

Very high-out LED Flood Light
outperforms its competitors



This LED area light is designed to slip-fit and Trunnion (Bracket) Mount, the versatile mounting configurations offer simple installation.

- 5 years warranty is standard on FL.
- Long operation life time, above 50,000hours. Low maintenance costs.



FL Series

PACKAGING

Model No.	Qty (pcs)	L*W*H (CM)
KLFL0500WC/KLHVFL0500WC	1	55*52*49CM
KLFL1000WC/KLHVFL1000WC	1	79*61*60CM