

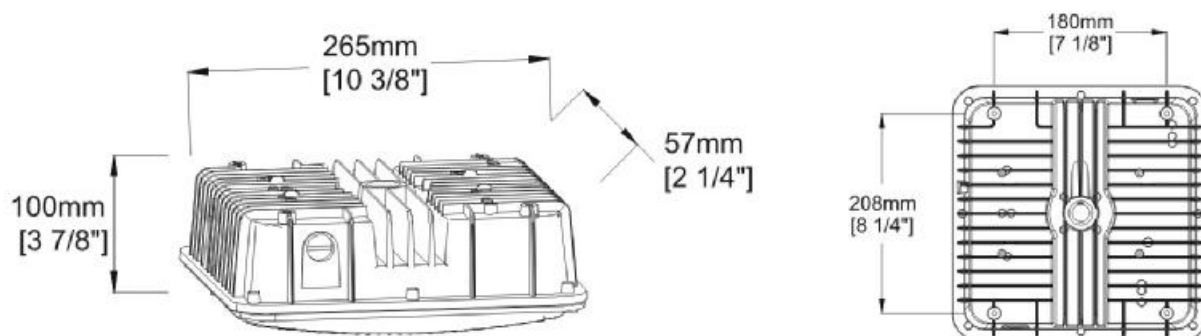


# CPSM Series

KILI CPSM series LED Canopy Light is designed for outdoor lighting applications requiring bright, white light, energy savings and robust performance. Led Canopy Lights provide powerful lighting for outdoor applications. Led Canopy Light Fixtures outperform and outlast their metal halide (MH) counterparts, providing a brighter and more consistent light. Canopy Lights provide low-cost, high-powered flood illumination, and are more durable and long-lived alternatives to traditional halogen. Canopy Fixture are in a variety of colors, sizes, and wattages to suit your commercial lighting needs. The CPSM series LED canopy light is an improved expanded line of canopy lighting for commercial lighting. This LED canopy light is available in 50W and 80W models with delivered lumens of 6,000 to 9,600. This LED canopy light is designed for easy installation and low maintenance and can replace 175 watt to 400 watt metal halide fixtures for more energy efficient lighting.



## DIMENSION:(mm/in)



# CPSM Series

## APPLICATIONS

- Parking garages
- Walkways
- Gas station
- Exhibition hall
- Outdoor storage areas
- Low-medium bay general
- Soffits
- Warehouse

## FEATURES

- ETL/cETL listed for wet locations, IP65 rated
- 130 lumens per watt
- 100-277V universal voltage
- 0-10V dimming optional
- Photo control available
- Low-profile appearance with shock proof polycarbonate lens



Warehouse



Gas station



Building facades



Parking garages

## CONSTRUCTION

- A dark bronze die-cast aluminum housing
- Shatterproof polycarbonate lens
- Commercial grade one-for-one replacement for ceiling-mount fixtures
- The weatherproof light includes a rubber gasket to seal out moisture
- High light transmittance pc cover, high efficient SMD LED chips.

## PRODUCT DETAILS



# CPSM Series

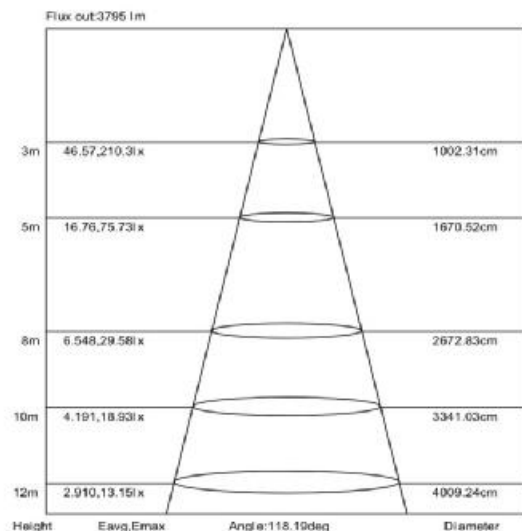
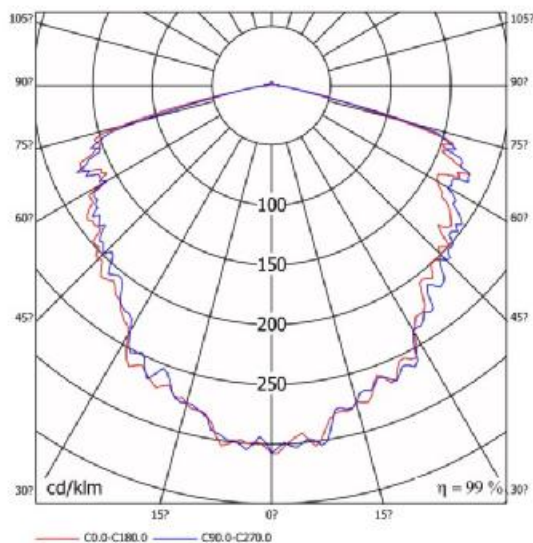
## TECHNICAL SPECIFICATION

- Input Voltage : 100-277VAC
- Driver Type : UL Approved Flicker-free
- Luminous Efficacy : up to 120lm/w
- Colour Rendering Index : > 80Ra
- LED Type : LM80 SMD3030
- Operating : Temperature:-30°C up to 50°C  
(-22°F up to 122°F)
- Color Temperature : 3000K/4000K/5000K/
- Material : Polycarbonate Body & Diffuser
- Ingress Protection : IP65
- Impact Rating : IK08
- Rated Life : 50,000 hours
- Warranty : 5 years

Produce Code	KLCPSM050	KLCPSM080
<b>Power Consumption(W)</b>	50W	80W
<b>Lumens Delivered (lm)</b>	6000lm	9600lm
<b>Efficacy (lm/W)</b>	120lm/w	120lm/w
<b>Beam Angle</b>	120°	120°
<b>CRI</b>	70	70
<b>Color Temperature</b>	3000K/4000K/5000K	3000K/4000K/5000K
<b>Power Factor</b>	>0.9	>0.9
<b>Housing</b>	Die-cast aluminum body. PC cover diffuse	Die-cast aluminum body. PC cover diffuse
<b>Input Voltage</b>	100-277VAC	100-277VAC
<b>Installation</b>	Surface mounted	Surface mounted
<b>Operating Temperature</b>	-30°C up to 50°C (-22°F up to 122°F)	-30°C up to 50°C (-22°F up to 122°F)
<b>Certification</b>	ETL/cETL	ETL/cETL
<b>Warranty</b>	5 years	5 years

## LUMINAIRE PHOTOMETRIC

### Luminous Intensity Distribution Diagram:





# CPSM Series



High light transmittance pc cover, high efficient SMD LED chips.

**shatterproof polycarbonate lens**

The high lumen output and low profile design make the LED canopy light ideal for building exteriors and parking garages.



**High heat dissipation design.**

Die-cast aluminum heat sink for superior thermal performance and increased longevity



**Install multiple ways**

Match J-BOX installation or hanging installation

# CPSM Series

## PACKAGING

Model No.	Qty (pcs)	L*W*H (CM)	NW. (kgs)	G.W. (kgs)	Meas. (CBM)
			Per CTN	Per CTN	Per CTN
KLCPSM050	1	65*34*33CM	9.6	11.5	0.07
KLCPSM080	1	65*34*33CM	10.5	13	0.07