



TOP Series

KILI LED Led Post Top is energy efficient and Led Post Top Light can be used for Courtyard lighting, public parks lighting, street scapes lighting, parking areas lighting, hotel lighting, Post Top Light Fixtures are the crowning feature of any outdoor landscape or streets cape, Post Top Lights can match lights to present a whole area uniform designed lighting solution. KILI LED Post-top is an affordable LED lighting fixture that combines reliability and good light distribution. KILI Post Top Luminaries features a traditional decorative style to make it an excellent choice for new construction or retrofit applications. They provides a long LED life of 50,000 hours, includes a 5 year warranty, and operates on electrical systems ranging from 100-277Vac and 200-480Vac.

KLTOPA50



KLTOPB50



KLTOPC70



FEATURES :

- ETL/cETL listed for TOPA and TOPB, CE for TOPC
- DLC 4.4 certified for TOPB
- 95-115 lumens per watt
- 100-277VAC or 200-480VAC universal voltage
- 0-10V dimming optional
- Photocell available

TOP Series

APPLICATIONS

- Area roadway
- Roadway lighting
- Parking areas lighting
- Airports lighting
- Streetscapes lighting
- Campuses lighting

CONSTRUCTION

- Die-cast aluminum housing
- Glass or polycarbonate optical lens
- High lumens with efficacy up to 115 lumens per watt
- Green, energy saving, long and reliable life of 50,000 hours
- No RF interference, No IR/UV radiation ,no mercury pollution
- Wide colour availability in degrees Kelvin(K),2700-6700K
- Designed for column/post mounting



Residential complexe



Public places

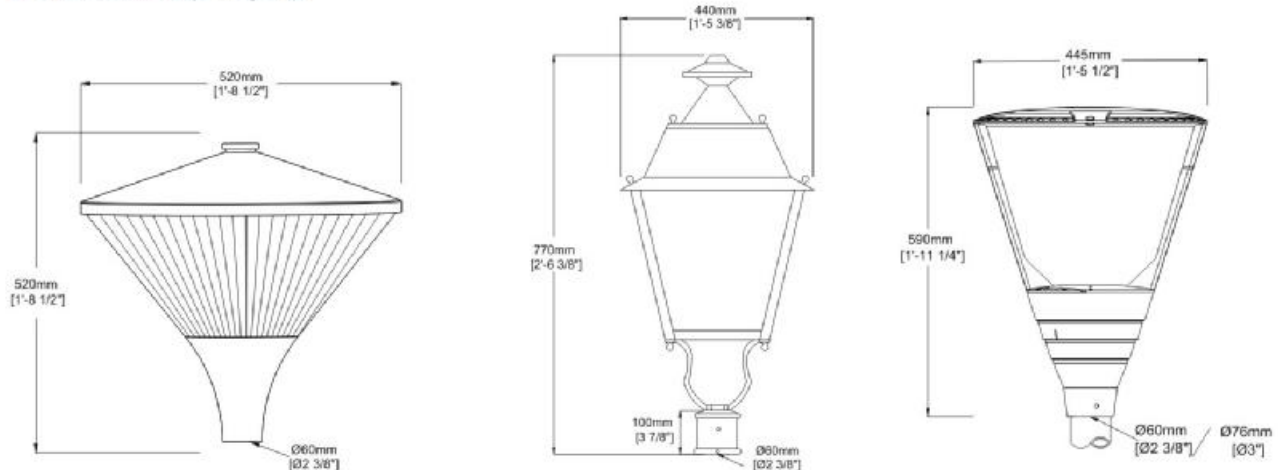


Pathways



Residential complexe

DIMENSION:(mm/in)



Models For example (KLTOPA50-50KFP)

Family	Type	Wattage	CCT	Version	Label
KLTOP : KILI-LED 100-277VAC Post Top Lighting KLHVTOP : KILI-LED 200-480VAC Post Top Lighting	A: TYPE A B: TYPE B C: TYPE C	50: 50W 70: 70W	30K: 3000K 40K: 4000K 50K: 5000K	P:platinum	0:KILI-LED Label 1:Customized Label

TOP Series

TECHNICAL SPECIFICATION:

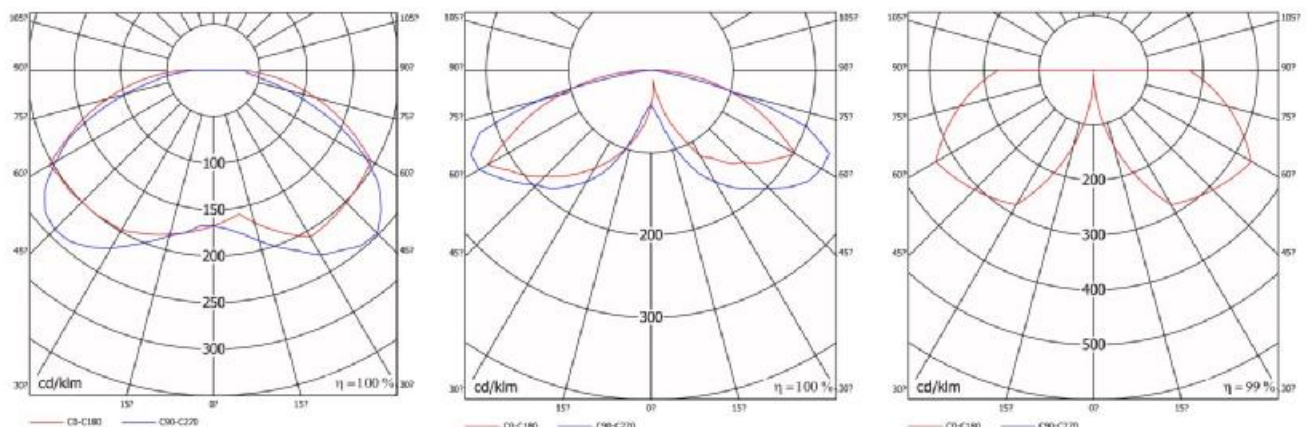
- Input Voltage : 100-277VAC or 200-480VAC
- Luminous Efficacy : up to 115lm/w
- Colour Rendering Index : > 70Ra
- Power Factor : >0.9
- Operating Temperature : -30°C up to 50°C(-22°F up to 122°F)
- Color Temperature : 3000K/4000K/5000K/
- Ingress Protection : IP65
- Impact Rating : IK08
- Beam Angle : 120°
- Radiator: Die-cast aluminum
- Installation: Column post-top
- Environment : damp/wet locations
- Rated Life : 50,000 hours
- Warranty : 5 years

SPECIFICATIONS :

Produce Code	KLTOPA50-XXKFP	KLHVTOPA50-XXKFP	KLTOPB50-XXKCP	KLHVTOPB50-XXKCP	KLTOPC70-XXKCP
Power Consumption(W)	50	50	50	50	70
Lumens Delivered (lm)	4750lm	4750lm	5000lm	5000lm	9000lm
Efficacy (lm/W)	95	95	115	115	130
CRI	>70	>70	>70	>70	>70
Input Voltage	100-277VAC	200-480VAC	100-277VAC	200-480VAC	100-277VAC
Beam Angle	120	120	120	120	120
Power Factor	>0.9	>0.9	>0.9	>0.9	>0.9
L 70	More than 50000hours	More than 50000hours	More than 50000hours	More than 50000hours	More than 50000hours
Radiator	Die-cast aluminum	Die-cast aluminum	Die-cast aluminum	Die-cast aluminum	Die-cast aluminum
Installation	Column post-top	Column post-top	Column post-top	Column post-top	Column post-top
Operating Temperature	-30°C up to 50°C (-22°F up to 122°F)	-30°C up to 50°C (-22°F up to 122°F)	-30°C up to 50°C (-22°F up to 122°F)	-30°C up to 50°C (-22°F up to 122°F)	-30°C up to 50°C (-22°F up to 122°F)
Certification	ETL/cETL	ETL/cETL	ETL/cETL, DLC	ETL/cETL	CE ROHS

LUMINAIRE PHOTOMETRIC

Luminous Intensity Distribution Diagram:



TOP Series

Outdoor Decorative LED Post Top Lights IP65 Waterproof Post Top Street Light

IP65 RAL Black die-cast housing finished with a polybonate diffuser



the 360 degree luminaire gives all round uniform illumination with minimal light spillage

Glass protection for improving waterproof rating and high light transmittance.



Heavy duty die-cast aluminium housing & toughened glass lens

Modules design for easy replacement and maintenance.



Power-off protector when opening cover, high quality power supply, high tight waterproof ring.

New led technology that allows the coexistence of environmental protection and energy saving

- 5 years warranty is standard on TOP.
- Long operation life time, above 50,000hours. Low maintenance costs.



TOP Series

PACKAGING

Model No.	Qty (pcs)	L*W*H (CM)	NW. (kgs)	G.W. (kgs)	Meas. (CBM)
			Per CTN	Per CTN	Per CTN
KLTOPA50	1	56*54*56CM	5.5	6.6	0.17
KLTOPB50	1	45*45*42CM	7.8	9.3	0.09
KLTOPC70	1	46*46*63CM	8.2	9.54	0.13