

SBAL Series

The SBAL LED area light is designed as a replacement for street light and vapor lamp. It has a low profile design made of one piece die-cast aluminum housing with UV resistant polycarbonate optical lens. This LED area light delivers high lumens with efficacy up to 130 lumens per watt and long life for a more energy efficient and low maintenance lighting solution. IP66/IK09 design for harsh environments from -22°to 122°F. This LED area light is designed to slip-fit, round pole, square pole and trunnion (bracket) mount, the versatile mounting configurations offer simple installation. The type II,III,IV, V light distribution make it ideal for general outdoor and commercial area lighting in parking lots, office complexes, campuses, walkways, stadiums, squares and billboards, etc.



FEATURES :

- ETL/cETL listed for wet locations, IP66 rated
- DLC 4.4 premium certified
- 130 lumens per watt
- 100-277VAC or 250-528VAC universal voltage
- 0-10V dimming optional
- Photocontrol sensor for dusk to dawn operation
- Built-in 10kV surge protector

SBAL Series

APPLICATIONS

- Wet areas
- Parking lots
- Office complexes
- Campuses
- Walkways
- Stadiums
- Squares
- Billboards
- Urban road
- Highway
- Industrial area
- Sidewalk
- Garden
- School
- Residential area
- Commercial area

CONSTRUCTION

- One piece die-cast aluminum housing
- UV resistant polycarbonate optical lens
- High lumens with efficacy up to 130 lumens per watt
- Designed to slip-fit
- Round pole, square pole and trunnion (bracket) mount
- The versatile mounting configurations offer simple installation



Stadiums



Highway

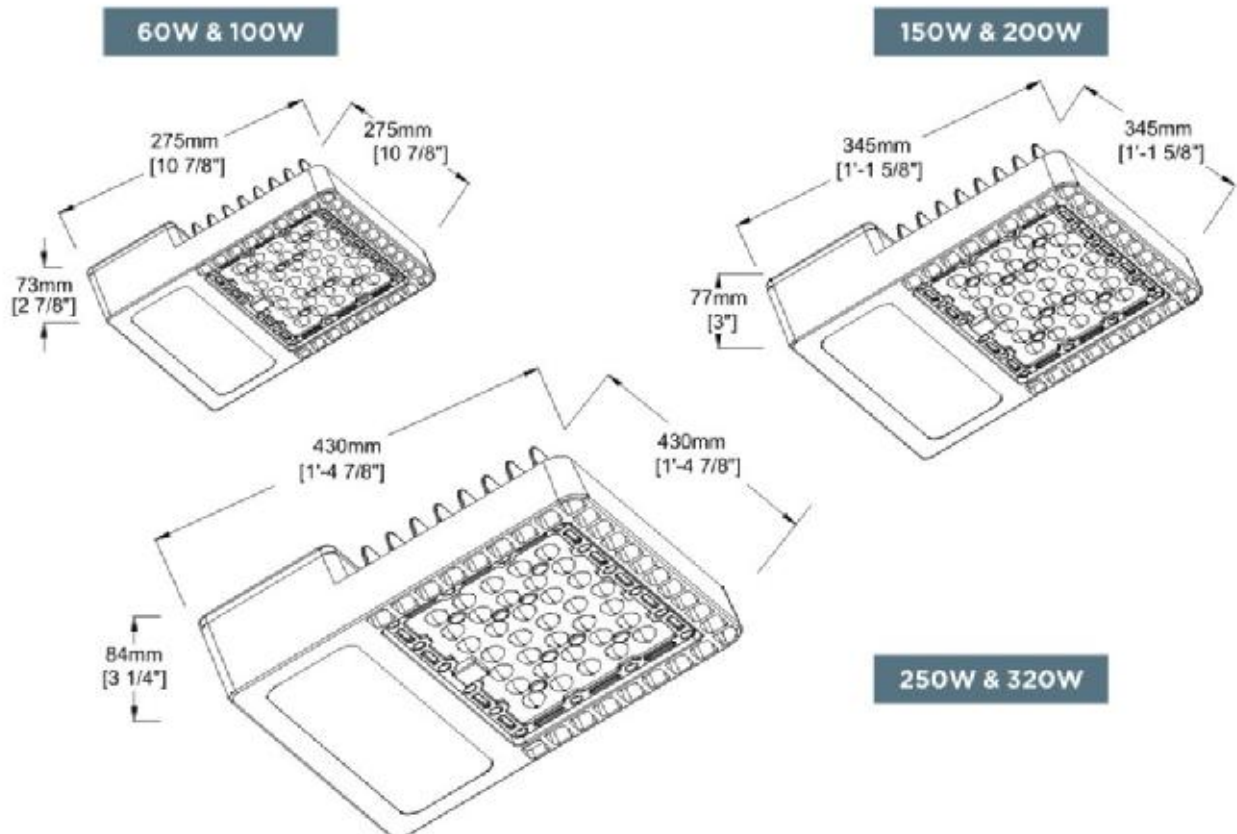


Urban road



Parking lots

DIMENSION:(mm/in)



SBAL Series

TECHNICAL SPECIFICATION:

- Input Voltage : 100-277VAC or 250-528VAC
- Luminous Efficacy : up to 130lm/w
- Colour Rendering Index : > 70Ra
- Power Factor : >0.9
- Operating Temperature : -30°C up to 50°C (-22°F up to 122°F)
- Color Temperature : 3000K/4000K/5000K/
- Lens : Polycarbonate Body & Diffuser
- Ingress Protection : IP66
- Impact Rating : IK09
- Fitting Length : (275mm / 345mm / 430mm)
- Beam Angle : T2: Asymmetric Narrow Type II, T3: Asymmetric Wide Type III, T4 : Asymmetric Forward Type IV, T5: Symmetric Medium Type V
- Housing : Die-cast aluminum body. PC cover diffuse
- Installation: SBAL-TA: Slipfitter Mount, SBAL-TB: Round Pole Mount, SBAL-TC: Square Pole Mount, SBAL-TD: Square Pole Mount, SBAL-TE: Round Pole Mount, SBAL-TF: Trunnion Mount, SBAL-TG: Surface Mount
- Environment : damp/wet locations
- Certification : ETL/cETL, DLC Premium
- Rated Life : 50,000 hours
- Warranty : 5 years

1: The power consumption can be programmed by the dimming interface, default set as maximum.

SPECIFICATIONS :

Produce Code	KLSBAL060-XXXXXXXXXX	KLSBAL100-XXXXXXXXXX	KLSBAL150-XXXXXXXXXX	KLSBAL200-XXXXXXXXXX	KLSBAL250-XXXXXXXXXX	KLSBAL320-XXXXXXXXXX
Power Consumption(W)	60	100	150	200	250	320
Lumens Delivered (lm)	7600	13400	20800lm	27600l	33800	42300
Efficacy (lm/W)	135	134	137	137	135	135
CRI	>70	>70	>70	>70	>70	>70
Input Voltage	100-277VAC	100-277VAC	100-277VAC	100-277VAC	100-277VAC	100-277VAC
Power Factor	>0.9	>0.9	>0.9	>0.9	>0.9	>0.9
L 70	More than 50000hours	More than 50000hours	More than 50000hours	More than 50000hours	More than 50000hours	More than 50000hours
Housing	Die-cast aluminum body(Bronze/Black). PC diffuse	Die-cast aluminum body(Bronze/Black). PC diffuse	Die-cast aluminum body(Bronze/Black). PC diffuse	Die-cast aluminum body(Bronze/Black). PC diffuse	Die-cast aluminum body(Bronze/Black). PC diffuse	Die-cast aluminum body(Bronze/Black). PC diffuse
Installation	SBAL-TA: Slipfitter Mount , SBAL-TB: Round Pole Mount, SBAL-TC: Square pole Mount, SBAL-TD: Square Pole Mount, SBAL-TE: Round Pole Mount , SBAL-TF: Trunnion Mount, SBAL-TG Surface Mount.					
Operating Temperature	-30°C up to 50°C (-22°F up to 122°F)	-30°C up to 50°C (-22°F up to 122°F)	-30°C up to 50°C (-22°F up to 122°F)	-30°C up to 50°C (-22°F up to 122°F)	-30°C up to 50°C (-22°F up to 122°F)	-30°C up to 50°C (-22°F up to 122°F)
Certification	ETL/cETL,DLC Premium	ETL/cETL,DLC Premium	ETL/cETL,DLC Premium	ETL/cETL,DLC Premium	ETL/cETL,DLC Premium	ETL/cETL,DLC Premium

Produce Code	KLHVSBAL060-XXXXXXXXXX	KLHVSBAL100-XXXXXXXXXX	KLHVSBAL150-XXXXXXXXXX	KLHVSBAL200-XXXXXXXXXX	KLHVSBAL250-XXXXXXXXXX	KLHVSBAL320-XXXXXXXXXX
Power Consumption(W)	60	100	150	200	250	320
Lumens Delivered (lm)	7300	12400	18300	24000	29500	39700
Efficacy (lm/W)	120	120	121	120	120	122
CRI	>70	>70	>70	>70	>70	>70
Input Voltage	250-528VAC	250-528VAC	250-528VAC	250-528VAC	250-528VAC	250-528VAC
Power Factor	>0.9	>0.9	>0.9	>0.9	>0.9	>0.9
L 70	More than 50000hours	More than 50000hours	More than 50000hours	More than 50000hours	More than 50000hours	More than 50000hours
Housing	Die-cast aluminum body(Bronze/Black). PC diffuse	Die-cast aluminum body(Bronze/Black). PC diffuse	Die-cast aluminum body(Bronze/Black). PC diffuse	Die-cast aluminum body(Bronze/Black). PC diffuse	Die-cast aluminum body(Bronze/Black). PC diffuse	Die-cast aluminum body(Bronze/Black). PC diffuse
Installation	SBAL-TA: Slipfitter Mount , SBAL-TB: Round Pole Mount, SBAL-TC: Square pole Mount, SBAL-TD: Square Pole Mount, SBAL-TE: Round Pole Mount , SBAL-TF: Trunnion Mount, SBAL-TG Surface Mount.					
Operating Temperature	-30°C up to 50°C (-22°F up to 122°F)	-30°C up to 50°C (-22°F up to 122°F)	-30°C up to 50°C (-22°F up to 122°F)	-30°C up to 50°C (-22°F up to 122°F)	-30°C up to 50°C (-22°F up to 122°F)	-30°C up to 50°C (-22°F up to 122°F)
Certification	ETL/cETL,DLC Premium	ETL/cETL,DLC Premium	ETL/cETL,DLC Premium	ETL/cETL,DLC Premium	ETL/cETL,DLC Premium	ETL/cETL,DLC Premium

SBAL Series

Models

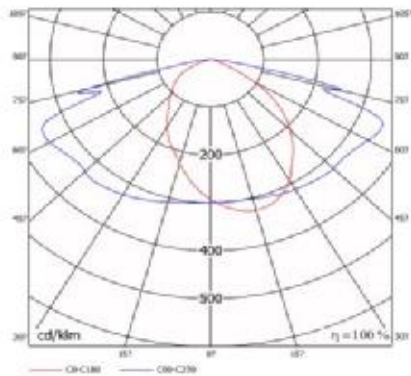
For example (KLSBAL150-T350KTASOP)

Family	Wattage	Separator	Photometric	CCT	Mount	Sensor	Surge protector
KLSBAL : KILI-LED 100-277VAC Area lighting KLHVSBAL : KILI-LED 250-528VAC Area lighting	060: 60W 100: 100W 150: 150W 200: 200W 250: 250W 320: 320W	-	T2: Asymmetric Narrow Type II T3: Asymmetric Wide Type III T4: Asymmetric Forward Type IV T5: Symmetric Medium Type V	30K: 3000K 40K: 4000K 50K: 5000K	TA: Slipfitter Mount TB: Round Pole Mount TA: Square pole Mount TC: Round pole Mount TD: Square pole Mount TC: Trunnion Mount TD: Surface Mount	S0: without sensor (standard) S1: With sensor of 100-277VAC (JL-205) S2: with sensor of 250-480VAC (JL-207C)	P: 10KA S: 6KV

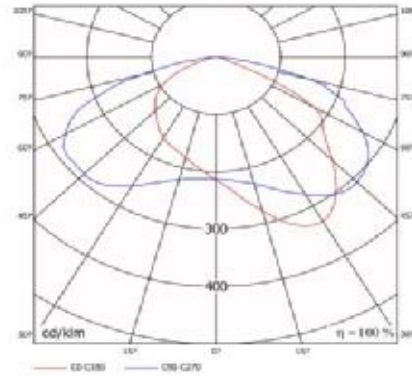
LUMINAIRE PHOTOMETRIC

Luminous Intensity Distribution Diagram:

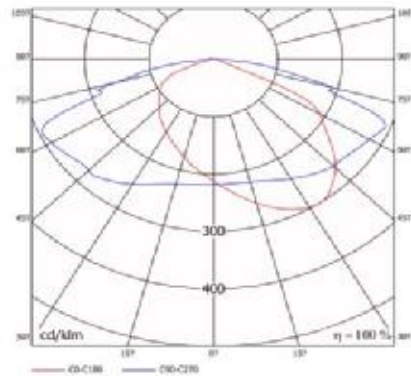
T2 : Asymmetric Narrow Type II



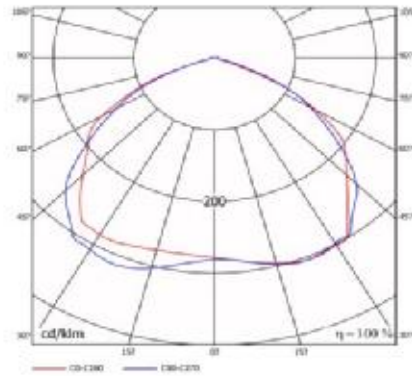
T3 : Asymmetric Wide Type III



T4 : Asymmetric Forward Type IV



T5 : Symmetric Medium Type V



SBAL Series

The SBAL Area Light that outperforms its competitors



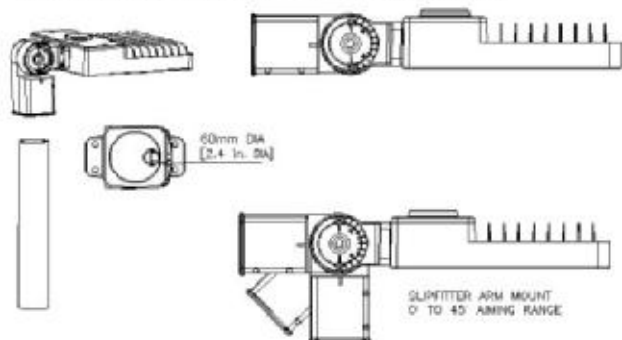
This LED area light is designed to slip-fit round pole square Pole and Trunnion (Bracket) Mount, the versatile mounting configurations offer simple installation.

- 5 years warranty is standard on SBAL.
- Long operation life time, above 50,000hours. Low maintenance costs.

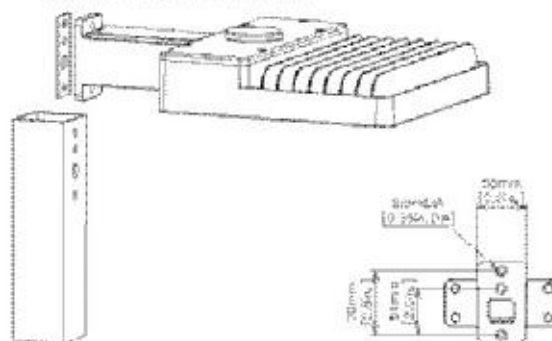
SBAL Series

MOUNTING & ACCESSORIES:

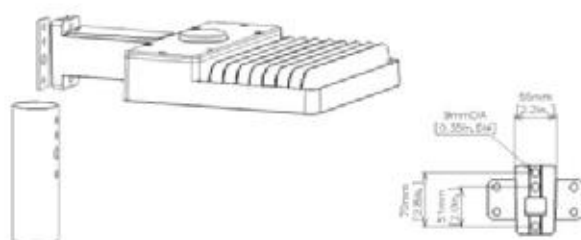
SBAL-TA : Slipfitter Mount (2 3/8 in. Inside Diameter)



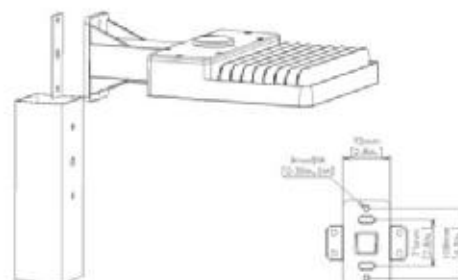
SBAL-TB : Square Pole Mount



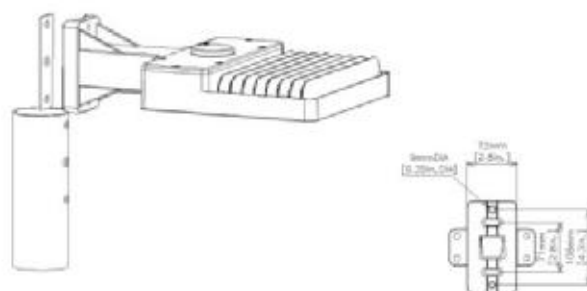
SBAL-TC : Round pole Mount



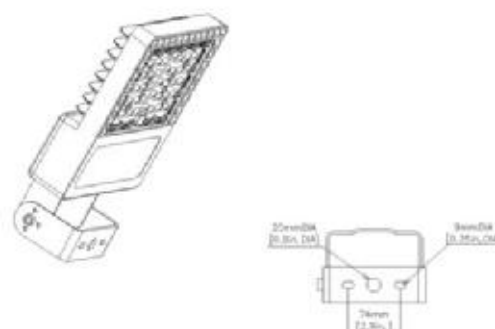
SBAL-TD : Square Pole Mount



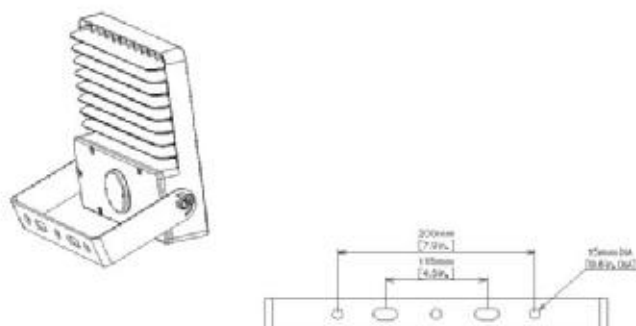
SBAL-TE : Round pole Mount



SBAL-TF : Trunnion Mount



SBAL-TG: Surface Mount





SBAL Series

PACKAGING

Model No.	Qty (pcs)	L*W*H (CM)	NW. (kgs)	G.W. (kgs)	Meas. (CBM)
			Per CTN	Per CTN	Per CTN
SBAL060	1	33*33*12.8CM	3.5	4.2	0.01
SBAL100	1	33*33*12.8CM	3.5	4.2	0.01
SBAL150	1	40*40*13CM	6.3	7.3	0.02
SBAL200	1	40*40*13CM	6.6	7.6	0.02
SBAL250	1	48*48*15CM	9.5	10.5	0.03
SBAL320	1	48*48*15CM	9.5	10.5	0.03
Bracket A	6	27*27*22CM	7.2	7.8	0.02
Bracket B	6	27*27*22CM	4	4.6	0.02
Bracket C	6	27*27*22CM	4	4.6	0.02