

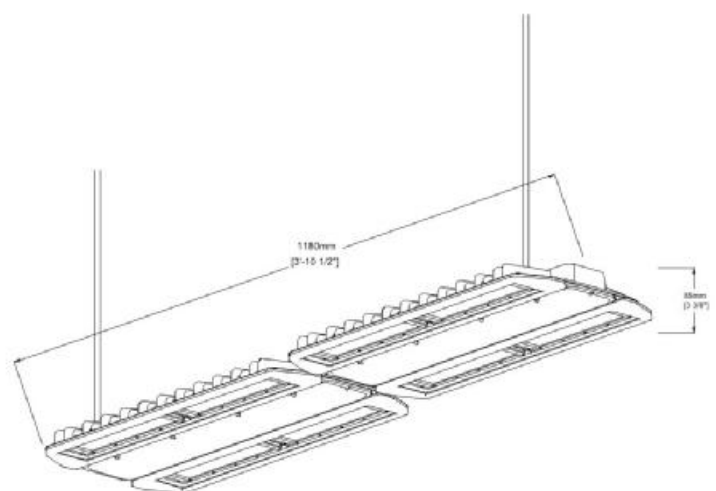
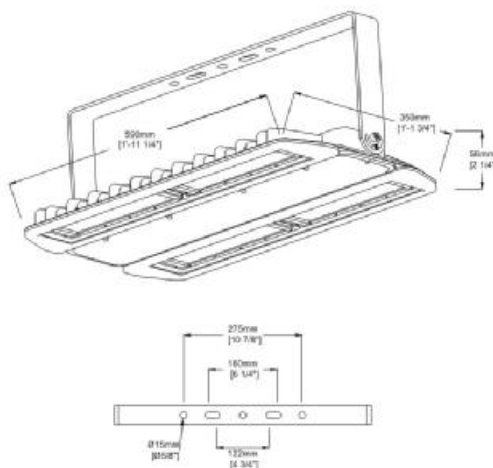


LSP Series

The LSP Series High bay is an IP66 rated fixture for demanding industrial environments with high ambient temperatures and wet applications. Utilizing a sealed form factor, the LSP Series offers customers a rugged design with exceptional performance and high reliability. LSP LED linear high bay adopts modular design, integrated innovative aluminum heat sink for superior thermal performance and increased longevity. This energy-efficient LED luminaire offers one-to-one replacement of existing HID or fluorescent high bays. Superior performance, ultra high efficacy and premium quality provides an economic solution for high ceiling applications, especially warehouse spaces. Delivering high output, quality light and low energy consumption can improve warehouse safety and productivity, lower maintenance cost, and reducing operating costs. These luminaires are designed for optimal use in large areas such as manufacturing facilities, warehouses, cold storages, big box and retail stores, convention centers, gymnasiums, and more.



DIMENSION:(mm/in)



LSP Series

APPLICATIONS

- Wet areas
- Warehouses
- Factories
- Gyms
- Supermarkets
- Stadiums
- Workshops
- Retail spaces
- Industrial areas
- Garages

CONSTRUCTION

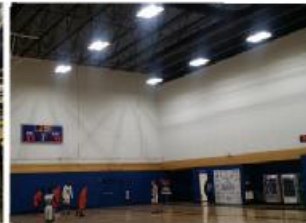
- Die cast aluminum housing.
- LSP accommodates a single or double fixture with 1 or 2 LED modules per fixture.
- Designed to meet recommended luminance and illuminance requirements for high bay applications in higher ambient temperatures.
- Certified for IP66 rating on both the optical cavity and electrical housing.
- LSP series reflector system enable LEDs to provide optimized illumination for open floor and racked aisles with photometric distributions of 50, 80, 100*30,150*60 and 120 degrees
- Motion and Daylight sensors can be combined for additional energy savings.



Factories



Warehouses



Stadiums

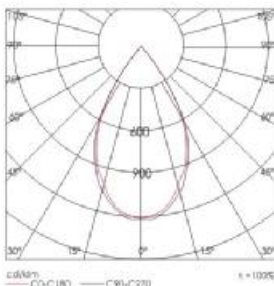


Warehouses

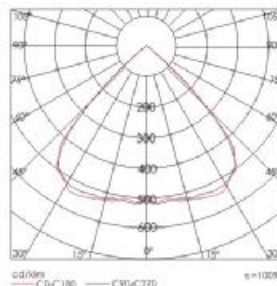
LUMINAIRE PHOTOMETRIC

Luminous Intensity Distribution Diagram:

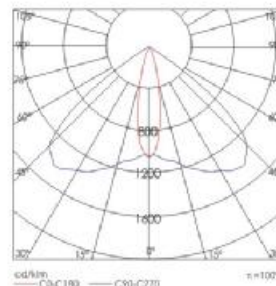
LA: 50°PC lens



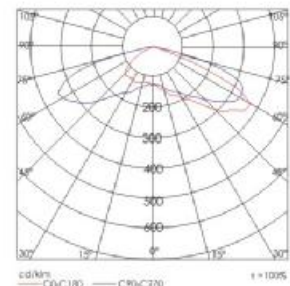
LB: 80°PC lens



LC: 30*100 PC lens



LD: 60*150 PC lens



Models For example (KLTOPA50-KLTOPC70)

Family	Wattage	Series	Separator	CCT	Fixture	Degree	Mount
KLHBXXXLSP : KILI-LED 100-277VAC High Bay KLHVHBXXXLSP : KILI-LED 250-528VAC High Bay	100: 100W 150: 150W 210: 210W 240: 240W	LSP: LSP series High Bay	-	40K: 4000K 50K: 5000K 57K: 5700K	S: Single fixture D: Double fixture	LA: 50°PC lens LB: 80°PC lens LC: 30*100 PC lens LD: 60*150 PC lens LE: 120° without lens	ST: Standard TH: Threaded rod SU: Surface mounted

LSP Series

TECHNICAL SPECIFICATION

- Input Voltage : 100-277VAC & 250-528VAC
- Driver Type : UL Approved Flicker-free
- Luminous Efficacy : up to 125-135LM/Wlm/w
- Colour Rendering Index : > 80Ra
- LED Type : LM80 CREE 3030 LED
- Operating : Temperature:-30°C up to 50°C
(-22°F up to 122°F)

- Color Temperature : 4000K/5000K/5700K
- Material : Die cast aluminum housing
- Ingress Protection : IP66
- Impact Rating : IK08
- Rated Life : 50,000 hours
- Warranty : 5 years

Produce Code	KLHB100LSP -SXXKALCXXX	KLHB150LSP -SXXKALCXXX	KLHB210LSP -SXXKALCXXX	KLHB240LSP -SXXKALCXXX
Power Consumption(W)	100W	150W	210W	240W
Lumens Delivered (lm)	13800lm	20600lm	28000lm	30000lm
Efficacy (lm/W)	136lm/w	137lm/w	134lm/w	130lm/w
Beam Angle	50°,80°,30°*100°,60°*150° PC lens,120°glass cover	50°,80°,30°*100°,60°*150° PC lens,120°glass cover	50°,80°,30°*100°,60°*150° PC lens,120°glass cover	50°,80°,30°*100°,60°*150° PC lens,120°glass cover
CRI	80	80	80	80
Color Temperature	4000K/5000K/5700K	4000K/5000K/5700K	4000K/5000K/5700K	4000K/5000K/5700K
Power Factor	0.98at 100VAC 0.90at 277VAC	0.98at 100VAC 0.90at 277VAC	0.98at 100VAC 0.90at 277VAC	0.98at 100VAC 0.90at 277VAC
Housing	Die-cast aluminum with powder coat pain, White color PC Lens and clear glass cover	Die-cast aluminum with powder coat pain, White color PC Lens and clear glass cover	Die-cast aluminum with powder coat pain, White color PC Lens and clear glass cover	Die-cast aluminum with powder coat pain, White color PC Lens and clear glass cover
Input Voltage	100-277VAC	100-277VAC	100-277VAC	100-277VAC
Installation	Chain or cable mounting(standard) Threaded rod kit(optional) Surface mounted	Chain or cable mounting(standard) Threaded rod kit(optional) Surface mounted	Chain or cable mounting(standard) Threaded rod kit(optional) Surface mounted	Chain or cable mounting(standard) Threaded rod kit(optional) Surface mounted
Operating Temperature	-30°C up to 50°C (-22°F up to 122°F)	-30°C up to 50°C (-22°F up to 122°F)	-30°C up to 50°C (-22°F up to 122°F)	-30°C up to 50°C (-22°F up to 122°F)
Certification	ETL/cETL, DLC Premium	ETL/cETL, DLC Premium	ETL/cETL, DLC Premium	ETL/cETL, DLC Premium
Warranty	5 years	5 years	5 years	5 years

Produce Code	KLHVHB100LSP -SXXKALCXXX	KLHVHB150LSP -SXXKALCXXX	KLHVHB210LSP -SXXKALCXXX	KLHVHB240LSP -SXXKALCXXX
Power Consumption(W)	100W	150W	210W	240W
Lumens Delivered (lm)	13400lm	19600lm	22500lm	27800lm
Efficacy (lm/W)	133lm/w	130lm/w	124lm/w	124lm/w
Beam Angle	50°,80°,30°*100°,60°*150° PC lens,120°glass cover	50°,80°,30°*100°,60°*150° PC lens,120°glass cover	50°,80°,30°*100°,60°*150° PC lens,120°glass cover	50°,80°,30°*100°,60°*150° PC lens,120°glass cover
CRI	80	80	80	80
Color Temperature	4000K/5000K/5700K	4000K/5000K/5700K	4000K/5000K/5700K	4000K/5000K/5700K
Power Factor	>0.9	>0.9	>0.9	>0.9
Housing	Die-cast aluminum with powder coat pain, White color PC Lens and clear glass cover	Die-cast aluminum with powder coat pain, White color PC Lens and clear glass cover	Die-cast aluminum with powder coat pain, White color PC Lens and clear glass cover	Die-cast aluminum with powder coat pain, White color PC Lens and clear glass cover
Input Voltage	250-528VAC	250-528VAC	250-528VAC	250-528VAC
Installation	Chain or cable mounting(standard) Threaded rod kit(optional) Surface mounted	Chain or cable mounting(standard) Threaded rod kit(optional) Surface mounted	Chain or cable mounting(standard) Threaded rod kit(optional) Surface mounted	Chain or cable mounting(standard) Threaded rod kit(optional) Surface mounted
Operating Temperature	-30°C up to 50°C (-22°F up to 122°F)	-30°C up to 50°C (-22°F up to 122°F)	-30°C up to 50°C (-22°F up to 122°F)	-30°C up to 50°C (-22°F up to 122°F)
Certification	ETL/cETL, DLC standard	ETL/cETL, DLC standard	ETL/cETL, DLC standard	ETL/cETL, DLC standard
Warranty	5 years	5 years	5 years	5 years

LSP Series



Modular Design 2 modules connecting accessory available (not standard).

5 optical lenses optional.
50°,80°,30°*100°,60°*150°PC lens,
120°glass cover

High heat dissipation design.
Die-cast aluminum heat sink for superior thermal performance and increased longevity



Surface mount bracket is optional

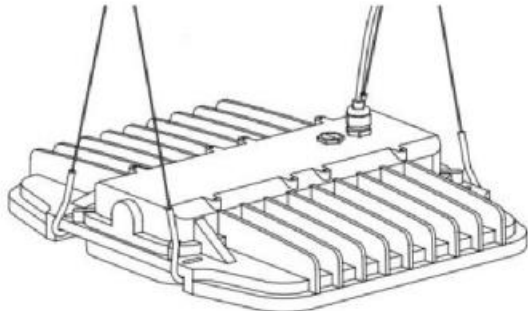


Chain or cable mounting ready.
Threaded rod kit optional.
1/2" NPT pendant mount kit optional.
Cord length options available.

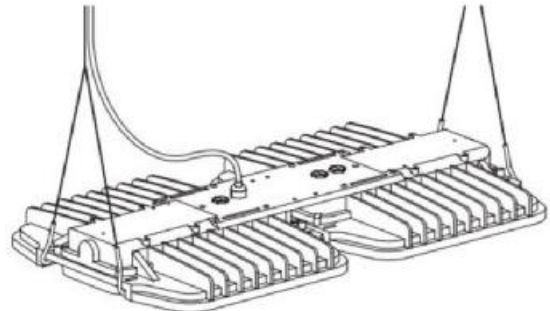
LSP Series

MOUNTING&ACCESSORIES:

- Chain or cable mounting (Standard) : Accessories of wire rope suspension kit :Y-CB05-05ft, Y-CB15-10ft, Y-CB15-15ft, Y-CB20-20ft As optional.

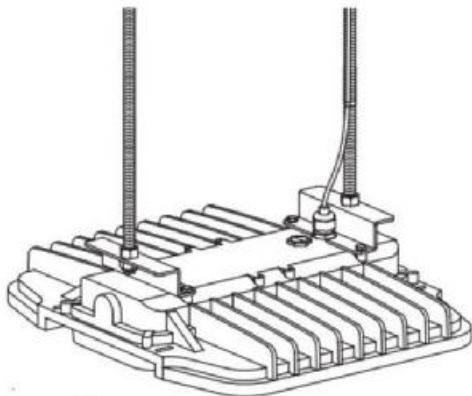


Single Fixture

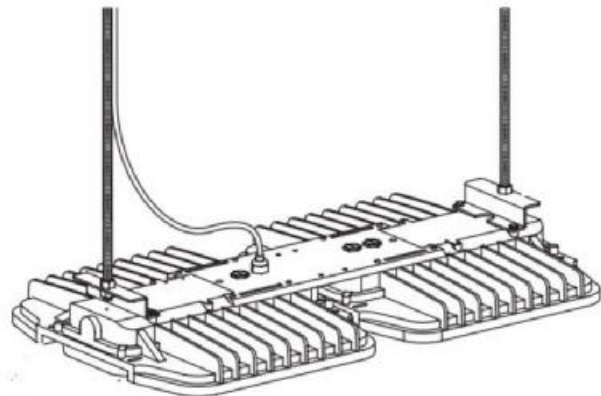


Dual Fixture

- Threaded rod kit(optional) : Accessories includ 4pcs 1/2" nuts ,2 pcs mount brackets as the below pictures

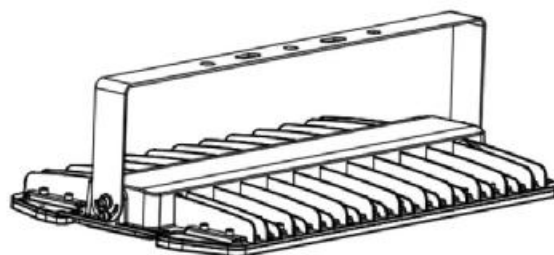


Single Fixture



Dual Fixture

- Surface mounted kit (optional and only use for single fixture) : Accessories includ 1 pcs mount brackets as the below pictures



LSP Series

PACKAGING

Model No.	Qty (pcs)	L*W*H (CM)	NW. (kgs)	G.W. (kgs)	Meas. (CBM)
			Per CTN	Per CTN	Per CTN
KLHB210LSP (Hoisting)	1	65*44*14CM	7.8	8.5	0.04
KLHB210LSP (U-shaped bracket)	1	65*44*14CM	8.4	9.4	0.04