

VFO-C Series

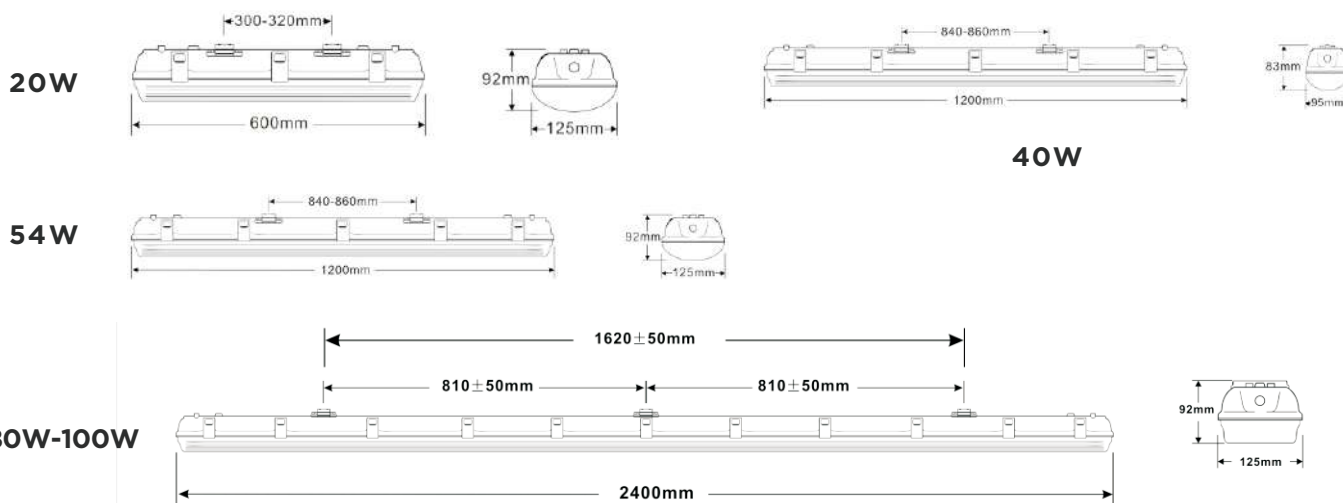
The VFO series is a next generation LED Vapor Tight Fixture that provides maximum light output with durable construction. It is ideal for featuring a one piece polycarbonate housing and lens. The VFO was designed to meet or exceed IES recommended foot-candle levels at installed heights for parking garages. Ideal for utility lighting, parking garages and stairwells; where meeting applicable building and safety codes is required. the LED vapor light is super easy to set up and instantly provides full brightness. We offer five wattage variation with clear and frosted covers distribution of f up to 130-150 lm/W.



FEATURES

- UL/cUL listed for wet locations, IP66 rated
- DLC 4.4 Premium certified
- 130-150 lumens per watt
- 100-277VAC universal voltage
- 0-10V dimming optional
- Microwave Motion Sensor for Bi-Level control optional
- 90 mins Emergency Battery Backup optional

DIMENSION:(mm/in)



VFO-C Series

APPLICATIONS

- Wet areas
- Outside walkways
- Warehouses
- Storage areas
- Industrial units
- Farm buildings (Non-corrosive atmosphere)
- Garages
- Workshops
- Car parks
- Changing rooms
- Resistant to impact and many chemical agents, but for suitability in specific environments please take specialist advice

CONSTRUCTION

- White coloured polycarbonate
- Polycarbonate diffuser integrated with powder coated lighting tray
- Stainless steel clips
- Reinforced drill points in base for direct surface fixing, or conduit suspension.
- Stainless steel surface mounting clips
- Can also be suspended from wire/chain using clips provided



Supermarket



Farm buildings



Parking lot lighting



Warehouses

PRODUCT DETAILS



The mounting brackets keep adjustable space for easy correction.



The light transmittance of PC cover is up to 92%. The integrated design of Lens Cover and LED Plate is more convenient to install and use.



The fixed clips are elegant, secure and easy to use.

VFO-C Series

TECHNICAL SPECIFICATION

- Input Voltage : 100-277VAC
- Driver Type : UL Driver
- Luminous Efficacy : up to 150lm/w
- Colour Rendering Index : > 80Ra
- LED Type : LM80 SMD2835
- Operating : Temperature:-40°C up to 50°C (-40°F up to 122°F)
- Color Temperature : 3000K/4000K/5000K/
- Material : Polycarbonate Body & Diffuser
- Ingress Protection : IP66
- Impact Rating : IK08
- Rated Life : 50,000 hours
- Warranty : 5 years

Family Model and Variation:

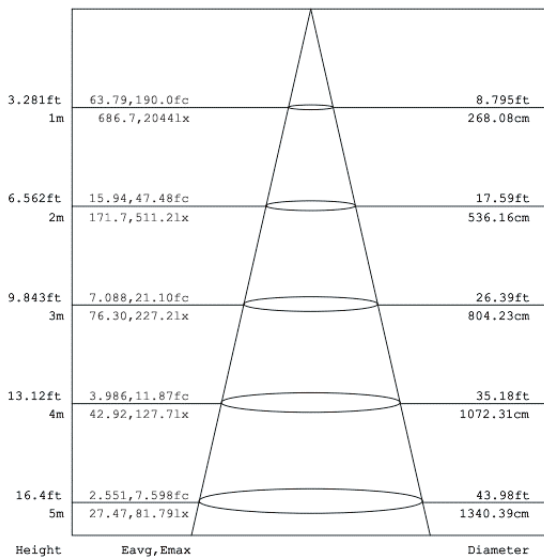
VFO020-XXXXS[P,S]-[Blank,SR,EM,RM] **VFO020** = Family Series;
 "XXX" denotes CCT, could be 40K: 4000K, 50K: 5000K;
 F = Frosted cover, C= Clear cover;
 [P,S] denotes capability of dimming, P = 0-10 V dimming,
 S = Non-dimmable;
 [Blank,SR,EM,RM] denotes product features, could be Blank,
 SR: Sensor, EM: Emergency supply, RM: Sensor + Emergency supply.

Where the first "XXX" indicate color temperature, can be any two digit plus K. The second "X" indicate diffuser type, can be F or C, F means frosted, C means clear. "P" indicate 0-10 V dimmable, "S" indicate non-dimmable. The third "XX" can be SR, EM, RM, SR means with Lighting Control, EM means with Emergency power, RM means with Lighting Control and Emergency power.

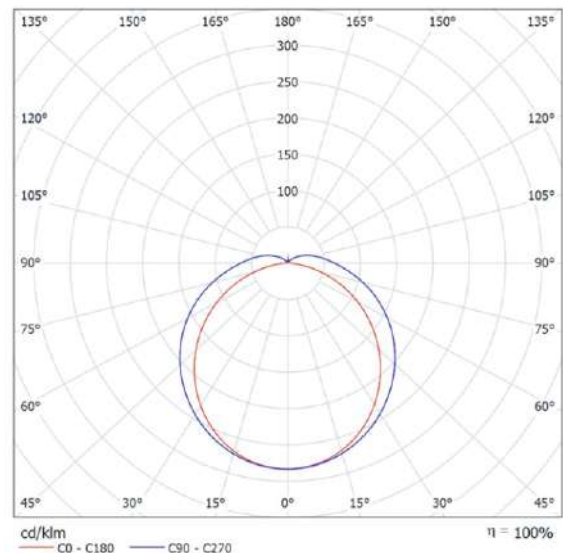
| Produce Code | VFO020-XXXX | VFO040-XXXX | VFO054-XXXX | VFO080-XXXX | VFOHV080-XXXX | VFO100-XXXX | VFOHV100-XXXX |
|-------------------------------------|---|---|---|---|---|---|---|
| Power Consumption(W) | 20W | 40W | 50W | 80W | 80W | 100W | 100W |
| Lumens Delivered Frosted(lm) | 2600lm | 5200lm | 6500lm | 10400lm | 10400lm | 13000lm | 13000lm |
| Efficacy Frosted(lm/W) | 130lm/W | 130lm/W | 130lm/W | 130lm/W | 130lm/W | 130lm/W | 130lm/W |
| Beam Angle | 120° | 120° | 120° | 120° | 120° | 120° | 120° |
| CRI | 80 | 80 | 80 | 80 | 80 | 80 | 80 |
| Input Voltage | 100-277VAC | 100-277VAC | 100-277VAC | 100-277VAC | 120-347VAC | 100-277VAC | 120-347VAC |
| Power Factor | >0.9 | >0.9 | >0.9 | >0.9 | >0.9 | >0.9 | >0.9 |
| Housing | PC | PC | PC | PC | PC | PC | PC |
| Installation | Surface Mount/ China | Surface Mount/ China | Surface Mount/ China | Surface Mount/ China | Surface Mount/ China | Surface Mount/ China | Surface Mount/ China |
| Operating Temperature | -40°C up to 40°C (-40°F up to 122°F) | -40°C up to 40°C (-40°F up to 122°F) | -40°C up to 40°C (-40°F up to 122°F) | -40°C up to 40°C (-40°F up to 122°F) | -40°C up to 40°C (-40°F up to 122°F) | -40°C up to 40°C (-40°F up to 122°F) | -40°C up to 40°C (-40°F up to 122°F) |
| Certification | ETL/cETLDLCPremium U L /cJLDLCPremium U L/cJLDLCPremium | | ETL/cETLDLCPremium | | ETL/cETL | ETL/cETLDLCPremium | ETL/cETL |

LUMINAIRE PHOTOMETRIC

Cone illuminance Diagram:



Luminous Intensity Distribution Diagram:





VFO-C Series

The IP66 non-corrosive that outperforms its competitors



REVOLUTIONARY DESIGN. Advanced design of polycarbonate diffuse integrated with lighting tray provide significant protection on LEDs and saving on installation and maintenance.

ALL-POLYCARBONATE CONSTRUCTION. V0 fire retardant polycarbonate ensure high standard of safety and maximum impact rate of IK08.



STAINLESS STEEL
easy to installation

IP66 PROTECTION
waterproof, dustproof and anticorrosive

MICRO-WAVE & EMERGENCY AVAILABLE.
Suitable for various kinds of applications.

Not all non-corrosives are the same. If you are offered a lower-cost alternative to the VFO, check you are comparing like with like:

- 5 years warranty is standard on VFO.
- UL/DLC approved, 50,000 hour UL drivers are standard on VFO.



VFO-C Series

PACKAGING

| Model No. | Qty (pcs) | L*W*H (CM) | NW.(kgs) | GW.(kgs) | Meas.(CBM) |
|-----------|-----------|---------------|----------|----------|------------|
| | | | Per CTN | Per CTN | Per CTN |
| VFO020 | 6 | 65*28.5*31CM | 7.8 | 9 | 0.06 |
| VFO040 | 9 | 125*32*30CM | 17.8 | 19.5 | 0.11 |
| VFO054 | 6 | 125*28.5*31CM | 13.2 | 15.1 | 0.11 |
| VFO080 | 4 | 245*28.5*22CM | 22 | 24 | 0.15 |
| VFOHV080 | 4 | 245*28.5*22CM | 22 | 24 | 0.15 |
| VFO100 | 4 | 245*28.5*22CM | 22 | 24 | 0.15 |
| VFOHV100 | 4 | 245*28.5*22CM | 22 | 24 | 0.15 |