

2nd Generation Series

The FD architectural LED flood light is designed as efficient, energy-saving replacement for metal halide and high-pressure sodium flood lighting fixture. Aluminum die-cast housing provides very good heat dissipation and assures a long lifespan. The black aluminum U-bracket is 270° adjustable and fixed with stainless steel screws with protective cover. The tempered glass front is 4mm thick with a high transparency rate and black finish around the light output area. Completely sealed, dust and water proof, full range from 100W to 320W the light is suitable for industrial and commercial applications, such as walls, driveways, buildings, securities, porches, areas and other indoor or outdoor lighting.



FEATURES :

- ETL/cETL listed for wet locations, IP65 rated
- 130 lumens per watt
- - 100-277V universal voltage
- 0-10V dimming optional
- Beam Angle: 30/60/90/120/T2/T3 optional.
- Color: white 3000K/4000K/5000K/6000K optional.

2nd Generation Series

APPLICATIONS

- Wet areas
- Building
- Wall
- Driveways
- Landscape
- Stage fountain cast
- Billboard
- Hotels

CONSTRUCTION

- One piece die-cast aluminum housing
- UV resistant polycarbonate optical lens
- High lumens with efficacy up to 130 lumens per watt
- Designed to slip-fit
- Trunion (bracket) mount
- The versatile mounting configurations offer simple installation



Buildings



Buildings

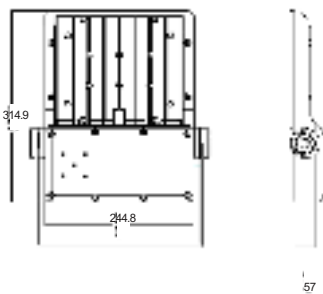


Bridge

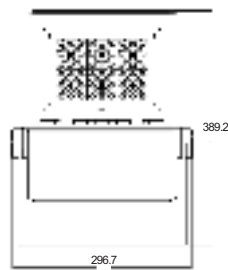


Walls

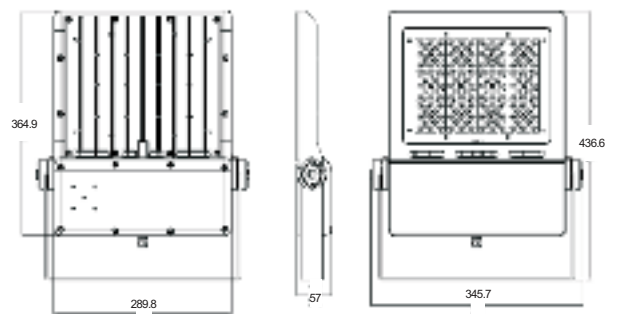
DIMENSION:(mm/in)



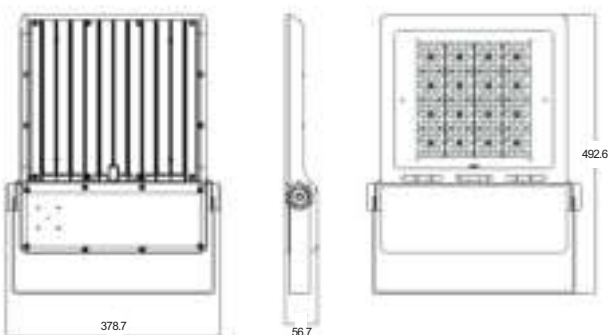
100W



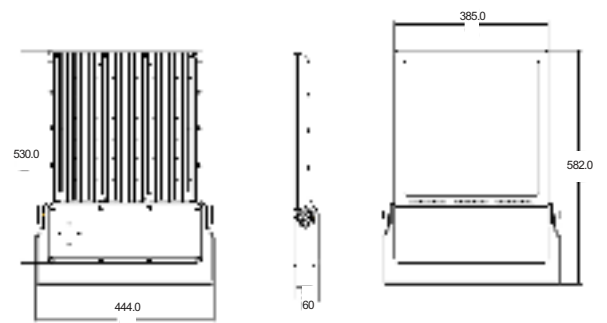
150W



200W



320W



2nd Generation Series

TECHNICAL SPECIFICATION:

- Input Voltage : 100-277VAC
- Luminous Efficacy : up to 130lm/w
- Colour Rendering Index : > 70Ra
- Power Factor : >0.9
- Operating Temperature : -30°C up to 50°C(-22°F up to 122°F)
- Color Temperature : 3000K/4000K/5000K/6000K
- Finish : Aluminum
- Ingress Protection : IP65
- Impact Rating : IK08
- Beam Angle : 30/60/90/120/T2/T3
- Housing : White/black
- Installation:Knuckle mount
- Environment : damp/wet locations
- Certification : ETL/cETL,CE RoHS
- Rated Life : 50,000 hours
- Warranty : 5 years

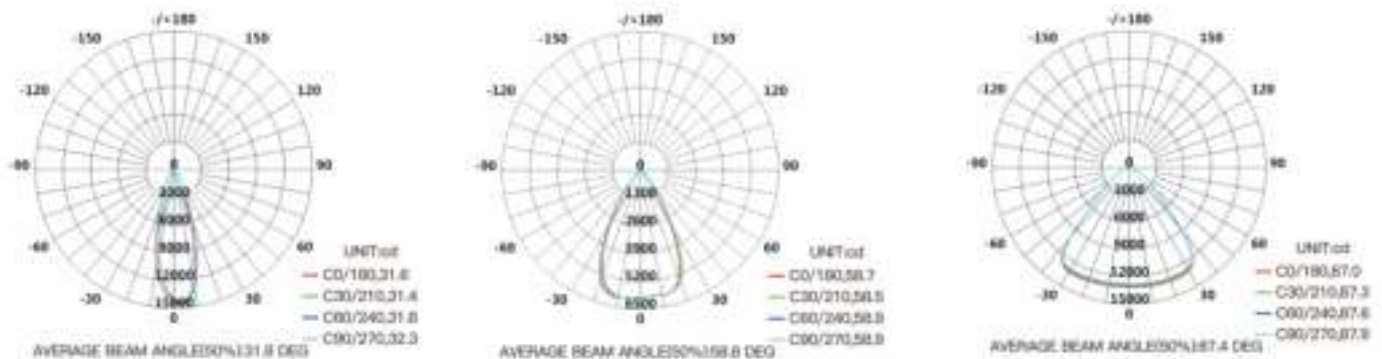
SPECIFICATIONS :

Produce Code	KLFD100HU50K	KLFD150HU50K	KLFD200HU50K	KLFD320HU50K
Power Consumption(W)	100	150	200	320
Lumens Delivered (lm)	13000	19500	26000	42000
Efficacy (lm/W)	130	130	130	130
CRI	>70	>70	>70	>70
Color Temperature	3000K/4000K/5000K/6000K	3000K/4000K/5000K/6000K	3000K/4000K/5000K/6000K	3000K/4000K/5000K/6000K
Beam Angle	30/60/90/120/T2/T3	30/60/90/120/T2/T3	30/60/90/120/T2/T3	30/60/90/120/T2/T3
Input Voltage	100-277VAC	100-277VAC	100-277VAC	100-277VAC
Power Factor	0.98at 100VAC 0.90at 277VAC	0.98at 100VAC 0.90at 277VAC	0.98at 100VAC 0.90at 277VAC	0.98at 100VAC 0.90at 277VAC
L 70	More than 50000hours	More than 50000hours	More than 50000hours	More than 50000hours
Housing	Die-cast aluminum White/black	Die-cast aluminum White/black	Die-cast aluminum White/black	Die-cast aluminum White/black
Installation	Knuckle mount	Knuckle mount	Knuckle mount	Knuckle mount
Operating Temperature	-30°C up to 50°C (-22°F up to 122°F)	-30°C up to 50°C (-22°F up to 122°F)	-30°C up to 50°C (-22°F up to 122°F)	-30°C up to 50°C (-22°F up to 122°F)
Certification	ETL/cETL,CE RoHS	ETL/cETL,CE RoHS	ETL/cETL,CE RoHS	ETL/cETL,CE RoHS

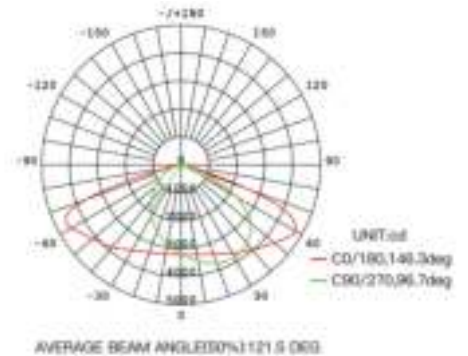
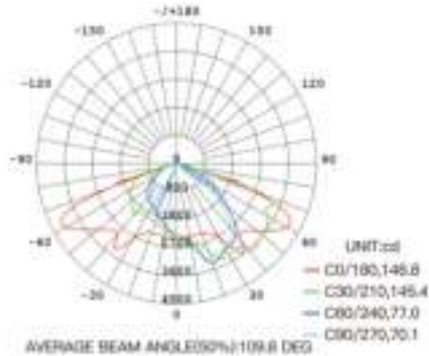
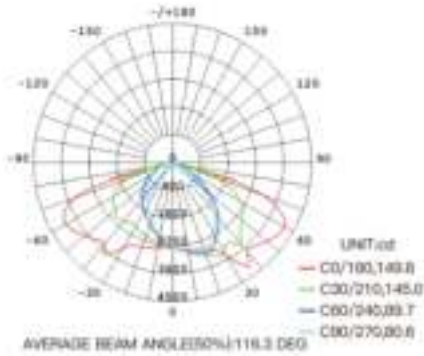
LUMINAIRE PHOTOMETRIC

Luminous Intensity Distribution Diagram:

PC material lens, Beam angle: 30°/60°/90°/TYPE II/TYPER III/TYPERIV



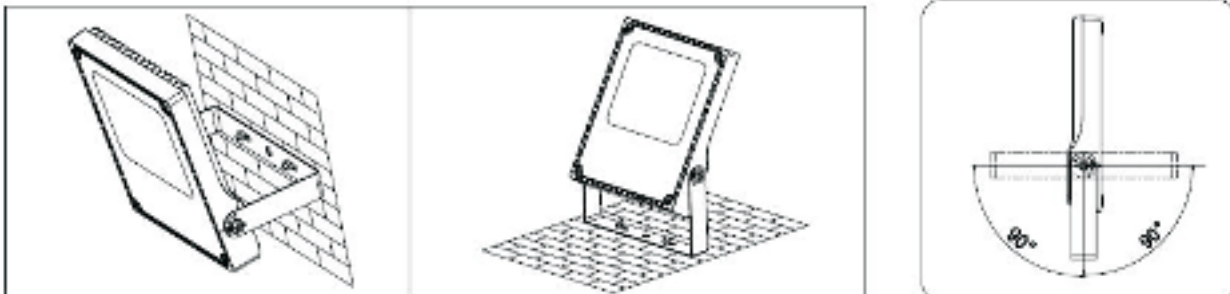
2nd Generation Series



INSTALLATION

		
<p>① According to the dimension of bracket hole, drill the holes on the mounting surface.</p>	<p>② Then lock the screws tightly.</p>	<p>③ Loosen the screws on two sides of bracket, adjust the lamp with a proper angle and fasten.</p>

EXAMPLE OF INSTALLATION



2nd Generation Series

Super-Slim LED Flood Light outperforms its competitors



High light transmittance glass
and multiple Angle PC lens

High efficient SMD LED chips

Waterproof structure design,
IP65 rated.



Die-cast aluminum shell
(White optional)

High efficiency isolated driver

Bracket

Rotating bottom

This LED area light is designed to slip-fit and Trunnion (Bracket) Mount, the versatile mounting configurations offer simple installation.

- 5 years warranty is standard on FD.
- Long operation life time, above 50,000hours. Low maintenance costs.

2nd Generation Series

PACKAGING

Model No.	Qty (pcs)	L*W*H (CM)	NW. (kgs)	G.W. (kgs)	Meas. (CBM)
			Per CTN	Per CTN	Per CTN
KLFD100HU50K	1	41.5*35*10CM	5.3	5.8	0.01
KLFD150HU50K	1	47.5*39.5*9.8CM	5.4	6.9	0.02
KLFD200HU50K	1	54*42*9CM	7.4	8.2	0.02
KLFD320HU50K	1	63*49*9.7CM	11.2	12.5	0.03