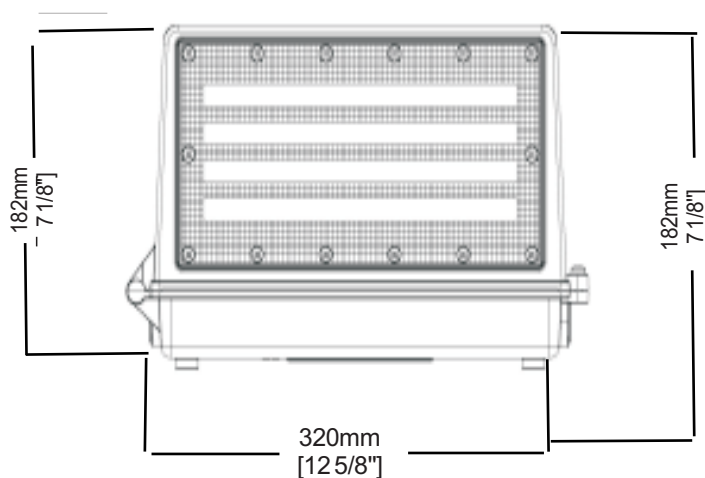


WPAC Full Cut-off Series

The WPAC LED wall packs deliver full cutoff light distribution. The full cutoff wall pack offers a popular but classic appearance with sleek angle design. Suitable for up to 10-25 foot mounting for applications including pathways, perimeter lighting and building entryways. Available in 35W, 60W, 80W with CCT 4000K & 5000K. LED wall pack fixtures can be mounted on surface/facade, whether you have a new construction or upgrade application. They are perfect for illuminating a variety of outdoor applications, including facade, wall washing, monuments, landscapes, public places, retail and residential complexes. They provide an added level of security to residential/commercial properties.



DIMENSION:(mm/in)



WPAC Full Cut-off Series

CONSTRUCTION

- Die-cast aluminum housing, fully sealed to be dirt and bug proof
- Light transmission PC lens
- Integral secondary heat sink to optimize thermal transfer and maximize performance and life of LED
- Driver is mounted in direct contact with the casting for a low operating temperature and long life
- Polyester powder-coated finish, rust and corrosion proof
- Stabilized to extreme climate changes without cracking or peeling
- Brown (other finishings are available)

APPLICATIONS

- Wet areas
- Outside walkways
- Farm buildings
(Non-corrosive atmosphere)
- Garages
- Building lighting
- Packing lot lighting
- Entryway
- Storage warehouses
- Security lighting

FEATURES

- ETL/cETL listed for wet and outdoor locations
- Light efficiency is reach to 120lm/W
- 100-277 input voltage is optional
- Photocell sensor is optional



Entryway lighting



Parking lot lighting



Doorways lighting



Building lighting

PRODUCT DETAILS



Integrated level inside the housing to facilitate installation



Built-in photocell sensor



Full Cutoff structure directs the light downward

WPAC Full Cut-off Series

TECHNICAL SPECIFICATION

- Input Voltage : 100-277VAC
- Driver Type : High performance LED drive.
- Power factor : >99%, THD <15 %
- Luminous Efficacy : up to 120lm/w
- Colour Rendering Index : > 70Ra
- LED Type : High performance LM80 SMD3030 LED
- Operating Temperature : -30°C up to 50°C(-22°F up to 122°F)
- Color Temperature : 4000K/5000K
- Material : Aluminum Housing & PC Lens
- Ingress Protection : IP65
- Impact Rating : IK08
- Rated Life : 50,000 hours
- Warranty : 5 years

Models

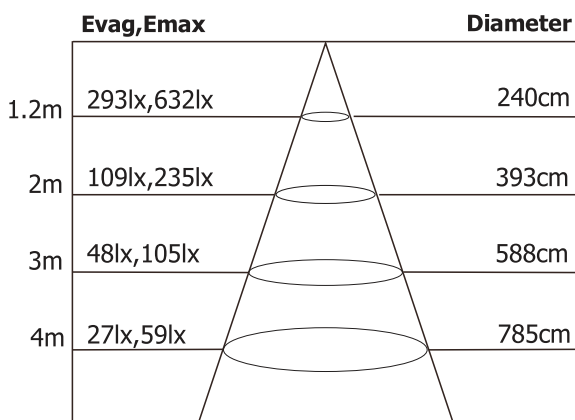
For example (KLWPAC035-50KFP)

Family	Wattage	Separator	CCT	Angle	Driver Type
KLWPAC: KILI-LED PC Lens LED Wall pack (100-277VAC)	035:35W 060:60W 080:80W	—	30K:3000K 40K:4000K 50K:5000K	C: Full-cut off	S:Non-dim ming

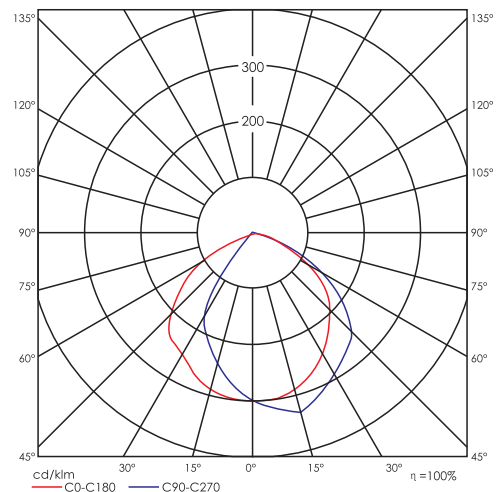
Produce Code	KLWPAC035	KLWPAC060	KLWPAC080
Power Consumption(W)	35W	60W	80W
Lumens Delivered (lm)	4200lm	7200lm	9600lm
Efficacy (lm/W)	120lm/w	120lm/w	120lm/w
CRI	70	70	70
Color Temperature	4000K/5000K	4000K/5000K	4000K/5000K
Power Factor	0.95	0.95	0.95
Housing	Die-cast aluminum body(Bronze/Black). PC Lens	Die-cast aluminum body(Bronze/Black). PC Lens	Die-cast aluminum body(Bronze/Black). PC Lens
Input Voltage	100-277VAC	100-277VAC	100-277VAC
Installation	Recessed outlet box or wall surface	Recessed outlet box or wall surface	Recessed outlet box or wall surface
Operating Temperature	-30°C up to 50°C (-40°F up to 122°F)	-30°C up to 50°C (-40°F up to 122°F)	-30°C up to 50°C (-40°F up to 122°F)
Certification	ETL/cETL	ETL/cETL	ETL/cETL
Warranty	5 years	5 years	5 years

LUMINAIRE PHOTOMETRIC

Cone illuminance Diagram:

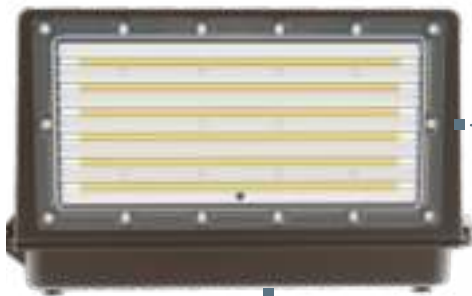


Luminous Intensity Distribution Diagram:



WPAC Full Cut-off Series

Wall pack lights sales champion,
quality is better than peers.



High efficient SMD LED chips with 100000hrs lifespans, and waterproof rubber ring design.



Photocell Dusk to Dawn Sensor
Photocell light control sensor, motion sensor are available, which would provide better energy saving solution.



Heat Dissipation With a die cast aluminum housing and a polycarbonate lens, Internal heatsink design, for good heat dissipation and be elegant.

Fixtures and electrical components are UL certified to USA and Canada standards;

- IP65 rated and suitable for wet locations
- Heavy-duty cast aluminum housing surface mounting with junction box
- 5 years warranty

WPAC Full Cut-off Series

PACKAGING

Model No.	Qty (pcs)	L*W*H (CM)	NW. (kgs)	G.W. (kgs)	Meas. (CBM)
			Per CTN	Per CTN	Per CTN
WPAC035 WPAC060	1	34*17*23CM	2.7	3.2	0.01
WPAC080	1	34*17*23CM	3	3.7	0.01