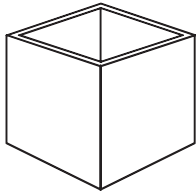
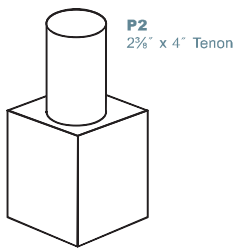




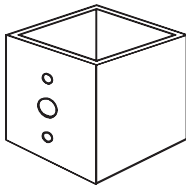
Straight Square Steel Poles, 4", 5"



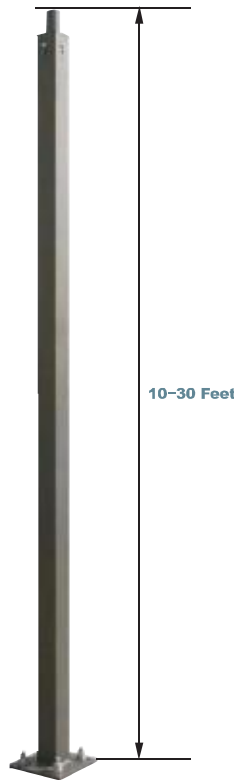
4" and 5" Square



P2
2 3/8" x 4" Tenon



Side Drills:
2 at 180°, 4 at 90°



The KL PSSS Series Straight Square Steel poles are built from high strength steel tube and are available side drilled for arm mounted area lighting luminaires or with tenon mounts for flood and post top luminaires. Typical area lighting applications include retail centers, industrial parks, schools and universities, public transit and airports, office buildings and medical facilities. Mounting heights of 10 to 30 feet can be used based on selected luminaire application.

Specifications and Features:

Pole Specifications:

Conforms to ASTM-A 500 Grade B: Minimum Yield Strength of 46,000 PSI. Wall Thickness Available in 11 Gauge (.120") or 7 Gauge (.180").

Finish:

Textured Architectural Bronze Powdercoat Finish, Baked to Ensure Maximum Paint Adhesion, Hardness and Durability.

Anchor Bolts:

Anchor Bolts are Included, Sized Based on Pole Data Charts for the Selected Pole Size.

Hand Hole:

Cast Iron Reinforced Hand Hole and Cover with Ground Screw.

Base Cover:

Poles are Provided With a Two-Piece Formed Steel Base Cover that is Easily Assembled and Fitted Over Pole Base.

Pole Length:

Poles are Available in Standard Lengths as Shown in the Order Matrix. Poles can be Custom Cut to Order. Consult Factory.

Mounting Options:

Standard Length Poles Include 2 3/8" OD Tenon, Side Drilled 4@90 Degrees, Polycarbonate Top Cover and Hole Plugs for Unused Drilling Locations.

Cut To Order Poles can be Side Drilled for 2@180 Degrees or 4@90 Degrees, Includes Polycarbonate Top Cover and Hole Plugs for Unused Drilling Locations.

Cut To Order Poles May Also Be Ordered With 2 3/8" OD Tenons for Use With Post Top Decorative Luminaires, Flood/Area Slip Fitter Fixtures, or Any of a Wide Variety of Pole Top Mounting Accessories."

Specifications:

Specification type	10FT	15FT	20FT	25FT	30FT
KL-10FT4-11G-D-T	L=3.0 (m)	L=4.6 (m)	L=6.1 (m)	L=7.6 (m)	L=9.1 (m)
KL-15FT4-11G-D-T					
KL-20FT4-11G-D-T					
KL-25FT4-11G-D-T					
KL-30FT5-11G-D-T					

Dimension data:

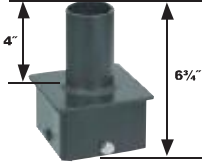
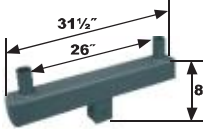
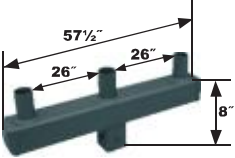
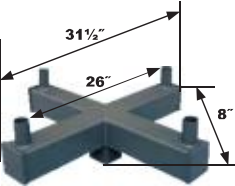
Catalog #	Mt. height	Wall thickness	Shaft size	Base size	Bolt circle	Bolt projection	Bolt size	Pole weight	EPA 70	EPA 80	EPA 90	EPA 100	EPA 110	EPA 120
KL-10FT4-11G-D-T	10 ft	11 gauge	4x4 in	11 in	8-11 in	2.75 in	3/4x17x3in	88 lbs	25.2	20.5	17.1	11.4	10.3	9.6
KL-15FT4-11G-D-T	15 ft	11 gauge	4x4 in	11 in	8-11 in	2.75 in	3/4x17x3in	117 lbs	15.2	12.5	10.1	8.5	6.9	5.4
KL-20FT4-11G-D-T	20ft	11 gauge	4x4in	11 in	8-11in	2.75in	3/4x17x3in	152lbs	9.2	7.3	6	4.2	3	1.6
KL-25FT4-11G-D-T	25ft	11 gauge	4x4in	11 in	8-11in	2.75in	3/4x17x3in	190lbs	8.9	6.9	5.7	4.1	3.6	2.2
KL-30FT5-11G-D-T	30ft	11 gauge	5x5in	11 in	10-12in	3.375in	3/4x17x4in	267lbs	7.2	5.4	4.1	3.8	2.8	1.2

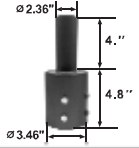
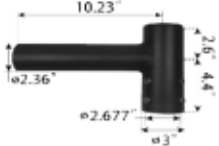

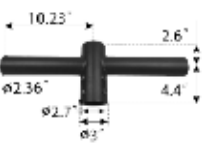
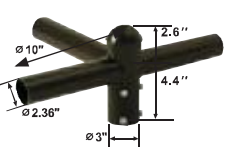


CATEGORY	IMAGE	MODEL	NAME	SPECIFICATIONS
Wall Bracket		KLWBL4-B	4 hole Wall Mount 90° Bracket	L-shape wall mount bracket, carbon steel, gloss bronze/Base: W4"xH4", 4xM8 holes/
		KLWBZ2-B	2 hole Wall Mount Bracket	Side tennon bracket, carbon steel, gloss bronze/ Base: W3"xL4", 2xM8 holes/ Tennon: 1x horizontal tennon, OD60 x HT8"
		KLWBZ4-B	4 hole Wall Mount Bracket	Wall mount bracket, carbon steel, gloss bronze/Bas W4"xH4", 4xM8 holes/ Tennon: 1x horizontal tennon OD60 x HT4"

CATEGORY	IMAGE	MODEL	NAME	SPECIFICATIONS
Square Horizontal Tennon Pole Bracket		KLSHT1090-B	4" 90° Single Horizontal Tennon	4" square pole bracket, carbon steel, gloss bronze/ Base: 4xM8 bolts/ Tennon: 1x horizontal tennon, OD60 x HT4"
		KLSHT2180-B	4" 180° Twin Horizontal Tennon	4" square pole bracket, carbon steel, gloss bronze/ Base: 4xM8 bolts/ Tennon: 2x horizontal tennon, 180D, OD60 x HT4"
		KLSHT2090-B	4" 90° Twin Horizontal Tennon	4" square pole bracket, carbon steel, gloss bronze/ Base: 4xM8 bolts/ Tennon: 2x horizontal tennon, Twin 90D, OD60 x HT4"
		KLSHT3090-B	4" 90° Triple Square Horizontal Tennon	4" square pole bracket, carbon steel, gloss bronze/ Base: 4xM8 bolts/ Tennon: 3x horizontal tennon, Triple 90D, OD60 x HT4"
		KLSHT4090-B	4" 90° Quad Square Horizontal Tennon	4" square pole bracket, carbon steel, gloss bronze/ Base: 4xM8 bolts/ Tennon: 4x horizontal tennon, 360D, OD60 x HT4"



CATEGORY	IMAGE	MODEL	NAME	SPECIFICATIONS
Vertical Tenon Pole Top Fitters		KLVTS1-B	4" Single Square Vertical Tenon	4" square pole bracket, carbon steel, gloss bronze/ Base: 4xM8 bolts/ Tenon: 1x vertical tenon, OD60 x HT4"
		KLVTS2-B	4" Twin Square Vertical Tenon	4" square pole bracket, carbon steel, gloss bronze/ Base: 4xM8 bolts/ Tenon: 2x vertical tenon, 180D, OD60 x HT4"
		KLVTS3-B	4" Triple Square Vertical Tenon	4" square pole bracket, carbon steel, gloss bronze/ Base: 4xM8 bolts/ Tenon: 3x vertical tenon, 180D, OD60 x HT4"
		KLVTS4-B	4" 90° Quad Square Vertical Tenon	4" square pole bracket, carbon steel, gloss bronze/ Base: 4xM8 bolts/ Tenon: 4x vertical tenon, 360D, OD60 x HT4"

CATEGORY	IMAGE	MODEL	NAME	SPECIFICATIONS
Round External Mount Horizontal Tenon		KLSB1360-B	4" Round Pole Mount with 2-3/8" O.D. Tenon	4" round pole bracket, carbon steel, gloss bronze/ Base: 4xM8 bolts/ Tenon: 1x vertical tenon, OD60 x HT4"
		KLRE1090-B	Single Spoke Bracket	4" round pole bracket, carbon steel, gloss bronze/ Base: 4xM8 bolts/ Tenon: 1x horizontal tenon, 90D, OD60 x HT4"
		KLRE2290-B	Twin Spoke Bracket, 90° Arms	4" round pole bracket, carbon steel, gloss bronze/ Base: 4xM8 bolts/ Tenon: 2x horizontal tenon, twin 90D, OD60 x HT4"
		KLRE2180-B	Twin Spoke Bracket, 180° Arms	4" round pole bracket, carbon steel, gloss bronze/ Base: 4xM8 bolts/ Tenon: 2x horizontal tenon, 180D, OD60 x HT4"
		KLRE3090-B	Triple Spoke Bracket, 90° Arms	4" round pole bracket, carbon steel, gloss bronze/ Base: 4xM8 bolts/ Tenon: 3x horizontal tenon, Triple 90D, OD60 x HT4"



CATEGORY	IMAGE	MODEL	NAME	SPECIFICATIONS
Round External Mount Horizontal Tenon		KLRE3120-B	Triple Spoke Bracket, 120° Arms	4" round pole bracket, carbon steel, gloss bronze/ Base: 4xM8 bolts/ Tenon: 3x horizontal tenon, Triple 120D, OD60 x HT4"
		KLRE4090-B	Quad Spoke Bracket, 90° Arms	4" round pole bracket, carbon steel, gloss bronze/ Base: 4xM8 bolts/ Tenon: 4x horizontal tenon, 360D, OD60 x HT4"

CATEGORY	IMAGE	MODEL	NAME	SPECIFICATIONS
Horizontal Tenon Adaptor		KLHT2180L-B	Long 180° Double Bullhorn	Tennon bullhorn, carbon steel, gloss bronze/ Base: 8xM8 bolts/ Tenon: 2x vertical tenon, 180D, OD60 x HT12"
		KLHT3120L-B	Long 180° Triple Bullhorn	Tennon bullhorn, carbon steel, gloss bronze/ Base: 8xM8 bolts/ Tenon: 3x vertical tenon, 180D, OD60 x HT12"
		KLHT4090L-B	Long 360° Quad Bullhorn	Tennon bullhorn, carbon steel, gloss bronze/ Base: 8xM8 bolts/ Tenon: 4x vertical tenon, 360D, OD60 x HT12"
		KLHT2180S-B	Short 180° Double Bullhorn	Tennon bullhorn, carbon steel, gloss bronze/ Base: 8xM8 bolts/ Tenon: 2x vertical tenon, 180D, OD60 x HT12"
		KLHT3180S-B	Short 180° Triple Bullhorn	Tennon bullhorn, carbon steel, gloss bronze/ Base: 8xM8 bolts/ Tenon: 3x vertical tenon, 180D, OD60 x HT12"
		KLHT4090S-B	Short 360° Quad Bullhorn	Tennon bullhorn, carbon steel, gloss bronze/ Base: 8xM8 bolts/ Tenon: 4x vertical tenon, 360D, OD60 x HT12"
		KLHT2090S-B	Horizontal short 90° Double Bullhorn	Tennon bullhorn, carbon steel, gloss bronze/ Base: 8xM8 bolts/ Tenon: 2x vertical tenon, 180D, OD60 x HT12"