

# TOP Series

KILI LED Led Post Top is energy efficient and Led Post Top Light can be used for Courtyard lighting, public parks lighting, street scapes lighting, parking areas lighting, hotel lighting, Post Top Light Fixtures are the crowning feature of any outdoor landscape or streets cape, Post Top Lights can match lights to present a whole area uniform designed lighting solution. KILI LED Post-top is an affordable LED lighting fixture that combines reliability and good light distribution. KILI Post Top Luminaries features a traditional decorative style to make it an excellent choice for new construction or retrofit applications. Them provides a long LED life of 50,000 hours, includes a 5 year warranty, and operates on electrical systems ranging from 100-277Vac and 200-480Vac.

KLTOPA



KLTOPB



KLTOPC



KLTOPD



## FEATURES :

- ETL/cETL listed for TOPA and TOPB, CE for TOPC, TOPD
- DLC 4.4 certified for TOPB50
- 95-130 lumens per watt
- 100-277VAC or 200-480VAC universal voltage
- 0-10V dimming optional
- Photocell available

# TOP Series

## APPLICATIONS

- Area roadway
- Roadway lighting
- Parking areas lighting
- Airports lighting
- Streetscapes lighting
- Campuses lighting

## CONSTRUCTION

- Die-cast aluminum housing
- Glass or polycarbonate optical lens
- High lumens with efficacy up to 115 lumens per watt
- Green, energy saving, long and reliable life of 50,000 hours
- No RF interference, No IR/UV radiation ,no mercury pollution
- Wide colour availability in degrees Kelvin(K),2700-6700K
- Designed for column/post mounting



Residential complexe



Public places

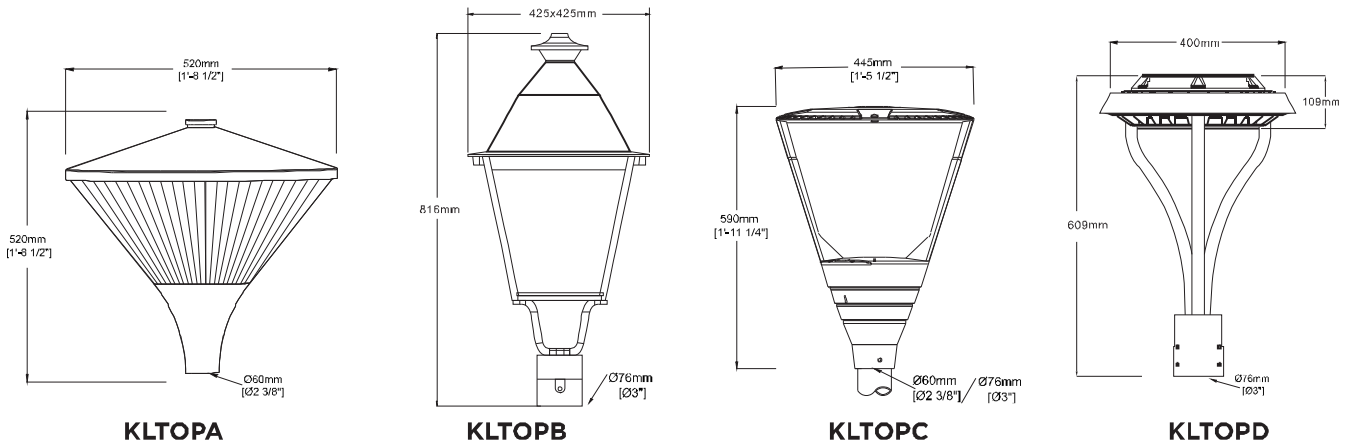


Pathways



Residential complexe

## DIMENSION:(mm/in)



## Models For example (KLTOPA50-50KFP)

Family	Type	Wattage	CCT	Version	Label
<b>KLTOP :</b> KILI-LED 100-277VAC Post: Top Lighting <b>KLHVTOP :</b> KILI-LED 200-480VAC Post: Top Lighting	A: TYPE A B: TYPE B C: TYPE C D: TYPE D	50: 50W 70: 70W 80: 80W 100: 100W 150: 150W	30K: 3000K 40K: 4000K 50K: 5000K	P:platinum	0:KILI-LED Label 1:Customized Label

## TOP Series

### TECHNICAL SPECIFICATION:

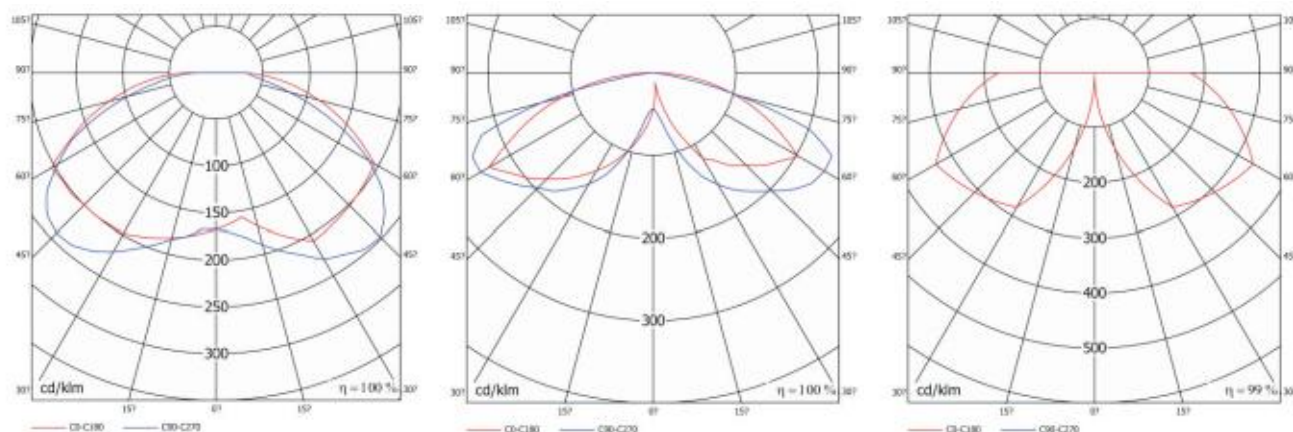
- Inout Voltage : 100-277VAC or 200-480VAC
- Luminous Efficacy : up to 115lm/w
- Colour Rendering Index : > 70Ra
- Power Factor : >0.9
- Operating Temperature : -30°C up to 50°C (-22°F up to 122°F)
- Color Temperature : 3000K/4000K/5000K/6000K
- Ingress Protection : IP65
- Impact Rating : IK08
- Beam Angle : 60/90/120°/140°70 (Type V)/140°70 (Type 3)
- Housing : Die-cast aluminum
- Installation: Column post-top
- Environment : damp/wet locations
- Rated Life : 50,000 hours
- Warranty : 5 years

### SPECIFICATIONS :

Produce Code	KLTOPA50-XXKFP	KLHVTOPA50-XXKFP	KLTOPB50-XXKCP	KLHVTOPB50-XXKCP	KLTOPB80	KLTOPC70-XXKCP	KLTOPD100	KLTOPD150
<b>Power Consumption(W)</b>	50W	50W	50W	50W	80W	70W	100W	150W
<b>Lumens Delivered (lm)</b>	4750lm	4750lm	5000lm	5000lm	9600lm	9000lm	12000lm	18000lm
<b>Efficacy (lm/W)</b>	93lm/w	95lm/w	113lm/w	115lm/w	120lm/w	130lm/w	115lm/w	15lm/w
<b>CRI</b>	>70	>70	>70	>70	>70	>70	>70	>70
<b>Input Voltage</b>	100-277VAC	200-480VAC	100-277VAC	200-480VAC	100-277VAC	100-277VAC	100-277VAC	100-277VAC
<b>Beam Angle</b>	70	70	Type 3	140°70 (Type V)	Type 3	150	60/90	60/90
<b>Power Factor</b>	>0.9	>0.9	>0.9	>0.9	>0.9	>0.9	>0.9	>0.9
<b>L 70</b>	More than 50000hours	More than 50000hours	More than 50000hours	More than 50000hours	More than 50000hours	More than 50000hours	More than 50000hours	More than 50000hours
<b>Housing</b>	Die-cast aluminum PC Lens	Die-cast aluminum PC Lens	Die-cast aluminum Glass Lens	Die-cast aluminum Glass Lens	Die-cast aluminum PC Lens	Die-cast aluminum Glass + PC Lens	Die-cast aluminum Glass + PC Lens	Die-cast aluminum Glass + PC Lens
<b>Installation</b>	Column post-top	Column post-top	Column post-top	Column post-top	Column post-top	Column post-top	Column post-top	Column post-top
<b>Operating Temperature</b>	-30°C up to 50°C (-22°F up to 122°F)	-30°C up to 50°C (-22°F up to 122°F)	-30°C up to 50°C (-22°F up to 122°F)	-30°C up to 50°C (-22°F up to 122°F)	-30°C up to 50°C (-22°F up to 122°F)	-30°C up to 50°C (-22°F up to 122°F)	-30°C up to 50°C (-22°F up to 122°F)	-30°C up to 50°C (-22°F up to 122°F)
<b>Certification</b>	ETL/cETL	ETL/cETL	ETL/cETL, DLC	ETL/cETL	CE ROHS	CE ROHS	CE ROHS	CE ROHS

### LUMINAIRE PHOTOMETRIC

#### Luminous Intensity Distribution Diagram:



# TOP Series

## Outdoor Decorative LED Post Top Lights IP65 Waterproof Post Top Street Light

IP65 RAL Black die-cast housing finished with a polybonate diffuser



the 360 degree luminaire gives all round uniform illumination with minimal light spillage

Glass protection for improving waterproof rating and high light transmittance.



Heavy duty die-cast aluminium housing & toughened glass lens



Modules design for easy replacement and maintenance.



Power-off protector when opening cover, high quality power supply, high tight waterproof ring.



Die-cast and powder coated aluminium housing for better anti-corrosion.



SMD 3030 LEDs tempered glass, High brightness LED chips 115lm/w



# TOP Series

## PACKAGING

Model No.	Qty (pcs)	L*W*H (CM)	NW. (kgs)	G.W. (kgs)	Meas. (CBM)
			Per CTN	Per CTN	Per CTN
KLTOPA50	1	56*54*56CM	5.5	6.6	0.17
KLTOPB50	1	44*44*67CM	6.5	8.3	0.13
KLTOPC70	1	46*46*63CM	8.2	9.54	0.13
KLTOPB80	1	44*44*67CM	7	8.8	0.13
KLTOPD100	1	52*51*16CM	6.52	7.6	0.04
KLTOPD150	1	52*51*16CM	6.8	7.9	0.04