

FD Architectural Series

The FD architectural LED flood light is designed as efficient, energy-saving replacement for metal halide and high-pressure sodium flood lighting fixture. The ultra slim streamlined powder coated aluminum die-cast housing provides very good heat dissipation and assures a long lifespan. The black aluminum U-bracket is 270° adjustable and fixed with stainless steel screws with protective cover. The tempered glass front is 4mm thick with a high transparency rate and black finish around the light output area. Completely sealed, dust and water proof, full range from 20W to 200W and 100-277V or 200-480V, the light is suitable for industrial and commercial applications, such as walls, driveways, buildings, securities, porches, areas and other indoor or outdoor lighting.



FEATURES :

- ETL/cETL listed for wet locations, IP65 rated
- 110 lumens per watt
- 100-277V or 200-480V universal voltage
- 0-10V dimming optional
- Ultra slim design, stylish and classic

FD Architectural Series

APPLICATIONS

- Wet areas
- Building
- Wall
- Driveways
- Landscape
- Stage fountain cast
- Billboard
- Hotels

CONSTRUCTION

- One piece die-cast aluminum housing
- UV resistant polycarbonate optical lens
- High lumens with efficacy up to 110 lumens per watt
- Designed to slip-fit
- Trunion (bracket) mount
- The versatile mounting configurations offer simple installation



Buildings



Buildings

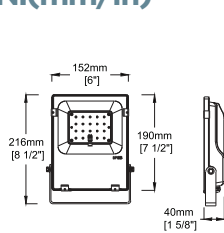


Bridge

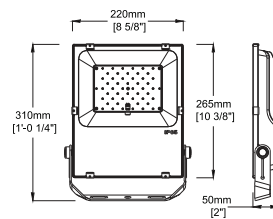


Walls

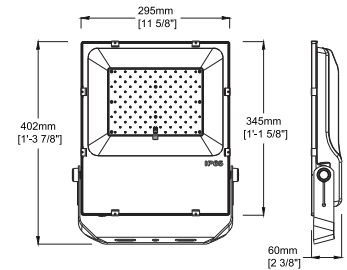
DIMENSION:(mm/in)



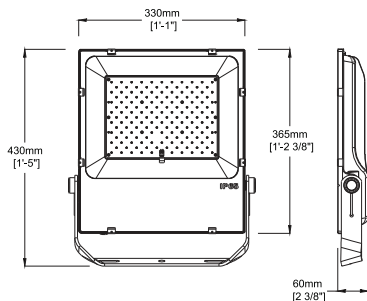
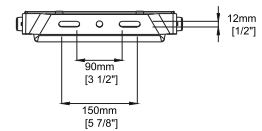
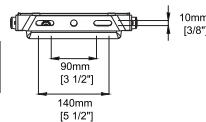
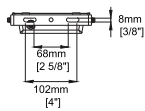
20W



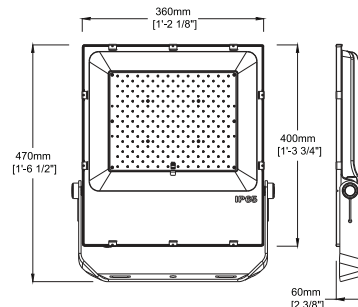
50W



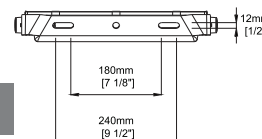
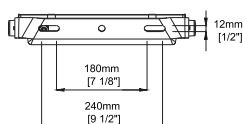
100W



150W



200W



FD Architectural Series

TECHNICAL SPECIFICATION:

- Input Voltage : 100-277VAC or 200-480VAC
- Luminous Efficacy : up to 110lm/w
- Colour Rendering Index : > 70Ra
- Power Factor : >0.9
- Operating Temperature : -30°C up to 50°C(-22°F up to 122°F)
- Color Temperature : 3000K/4000K/5000K
- Lens : Polycarbonate Body & Diffuser
- Ingress Protection : IP65
- Impact Rating : IK08
- Beam Angle :120°
- Housing : Die-cast aluminum body. PC cover Glass diffuse
- Installation:Knuckle mount
- Environment : damp/wet locations
- Certification : ETL/cETL
- Rated Life : 50,000 hours
- Warranty : 5 years

SPECIFICATIONS :

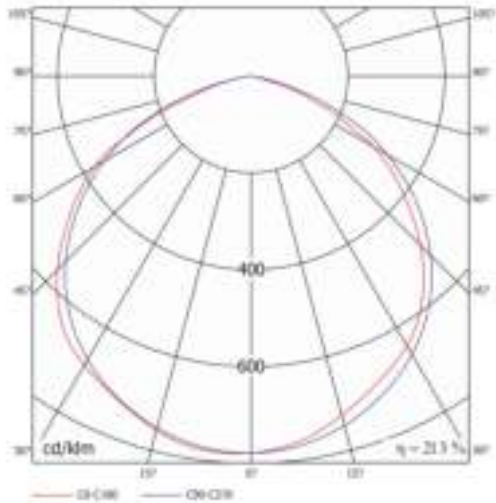
Produce Code	KLFD020HU50K	KLFD050HU50K	KLFD100HU50K	KLFD150HU50K	KLFD200HU50K
Power Consumption(W)	20	50	100	150	200
Lumens Delivered (lm)	2200	5500	11000	16500	22000
Efficacy (lm/W)	110	110	110	110	110
CRI	>70	>70	>70	>70	>70
Color TemperatureI	3000K/4000K/5000K	3000K/4000K/5000K	3000K/4000K/5000K	3000K/4000K/5000K	3000K/4000K/5000K
Beam Angle	120°	120°	120°	120°	120°
Input Voltage	100-277VAC	100-277VAC	100-277VAC	100-277VAC	100-277VAC
Power Factor	0.98at 100VAC 0.90at 277VAC	0.98at 100VAC 0.90at 277VAC	0.98at 100VAC 0.90at 277VAC	0.98at 100VAC 0.90at 277VAC	0.98at 100VAC 0.90at 277VAC
L 70	More than 50000hours	More than 50000hours	More than 50000hours	More than 50000hours	More than 50000hours
Housing	Die-cast aluminum body(Black). Glass diffuse	Die-cast aluminum body(Black). Glass diffuse	Die-cast aluminum body(Black). Glass diffuse	Die-cast aluminum body(Black). Glass diffuse	Die-cast aluminum body(Black). Glass diffuse
Installation	Knuckle mount	Knuckle mount	Knuckle mount	Knuckle mount	Knuckle mount
Operating Temperature	-30°C up to 50°C (-22°F up to 122°F)	-30°C up to 50°C (-22°F up to 122°F)	-30°C up to 50°C (-22°F up to 122°F)	-30°C up to 50°C (-22°F up to 122°F)	-30°C up to 50°C (-22°F up to 122°F)
Certification	ETL/cETL	ETL/cETL	ETL/cETL	ETL/cETL	ETL/cETL

Produce Code	KLHVFD050HU50K	KLHVFD100HU50K	KLHVFD150HU50K	KLHVFD200HU50K
Power Consumption(W)	50	100	150	200
Lumens Delivered (lm)	5500	11000	16500	22000
Efficacy (lm/W)	120	120	120	120
CRI	>70	>70	>70	>70
Color TemperatureI	3000K/4000K/5000K	3000K/4000K/5000K	3000K/4000K/5000K	3000K/4000K/5000K
Beam Angle	120°	120°	120°	20°
Input Voltage	200-480VAC	200-480VAC	200-480VAC	200-480VAC
Power Factor	>0.9	>0.9	>0.9	>0.9
L 70	More than 50000hours	More than 50000hours	More than 50000hours	More than 50000hours
Housing	Die-cast aluminum body(Black). Glass diffuse	Die-cast aluminum body(Black). Glass diffuse	Die-cast aluminum body(Black). Glass diffuse	Die-cast aluminum body(Black). Glass diffuse
Installation	Knuckle mount	Knuckle mount	Knuckle mount	Knuckle mount
Operating Temperature	-30°C up to 50°C (-22°F up to 122°F)	-30°C up to 50°C (-22°F up to 122°F)	-30°C up to 50°C (-22°F up to 122°F)	-30°C up to 50°C (-22°F up to 122°F)
Certification	ETL/cETL	ETL/cETL	ETL/cETL	ETL/cETL

FD Architectural Series

LUMINAIRE PHOTOMETRIC

Luminous Intensity Distribution Diagram:



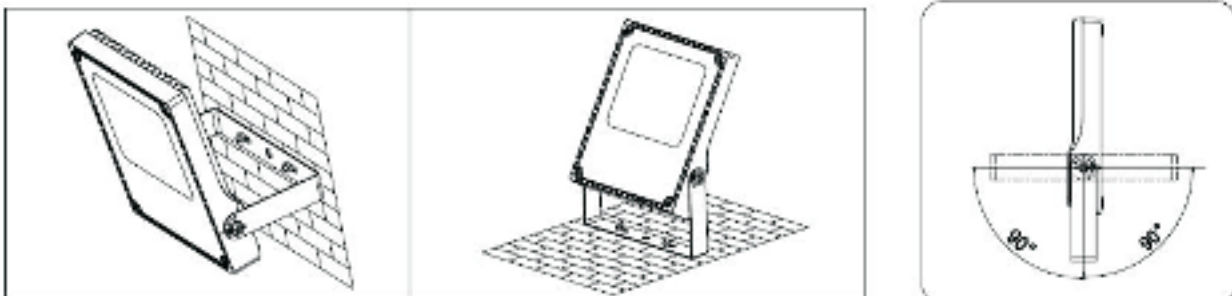
Flux out: 7149 lm

Height	Eavg, Emax	Angle: 112.29deg	Diameter
3.281ft 1m	89.16, 301.6fc 959.7, 3246lx		9.782ft 298.16cm
6.562ft 2m	22.29, 75.40fc 239.9, 811.6lx		19.56ft 596.32cm
9.843ft 3m	9.906, 33.51fc 106.6, 360.7lx		29.35ft 894.48cm
13.12ft 4m	5.572, 18.85fc 59.98, 202.9lx		39.13ft 1192.64cm
32.81ft 10m	0.8916, 3.016fc 9.597, 32.46lx		97.82ft 2981.59cm

INSTALLATION

		
<p>① According to the dimension of bracket hole, drill the holes on the mounting surface.</p>	<p>② Then lock the screws tightly.</p>	<p>③ Loosen the screws on two sides of bracket, adjust the lamp with a proper angle and fasten.</p>

EXAMPLE OF INSTALLATION



FD Architectural Series

Super-Slim LED Flood Light outperforms its competitors



This LED area light is designed to slip-fit and Trunnion (Bracket) Mount, the versatile mounting configurations offer simple installation.

- 5 years warranty is standard on FD.
- Long operation life time, above 50,000hours. Low maintenance costs.

FD Architectural Series

PACKAGING

Model No.	Qty (pcs)	L*W*H (CM)	NW. (kgs)	G.W. (kgs)	Meas. (CBM)
			Per CTN	Per CTN	Per CTN
KLFD020HU50K KLFD030HU50K	20	51.5*38*26CM	13.9	15.9	0.05
KLFD050HU50K KLHVFD050HU50K	8	53*36.5*25.5CM	11.4	13.4	0.04
KLFD100HU50K KLHVFD100HU50K	1	48*39*13.5CM	2.5	4.5	0.02
KLFD150HU50K KLHVFD150HU50K	1	51*43*13.5CM	3.8	5.8	0.03
KLFD200HU50K KLHVFD200HU50K	1	55.5*46*13.5CM	4.9	6.9	0.03