

## WCS Series

The new generation of LED high bay light adopts the appearance of UFO, which makes it more futuristic, longer lifespan, lower maintenance and higher efficiency. Replace less-efficient traditional 500W metal halide bulb with a 35,000lms output at 250W LED. Slim body, lightweight no bulky heat sink, internal isolation high performance LED driver as well as LM80 LEDs, the LED high bay light can also work with 0-10V dimmer, brightness is adjustable as your desire. Preinstalled hook make it easily for a fast installation, and come with an alternative sturdy U-bracket to mount the LED high bay light to wall or ceiling and adjust it to achieve expected emitting angle. It's simple to replace existing lights or make a new installation. The LED high bay light is ideal for commercial or industrial lighting, such as warehouses, factories, gyms, supermarkets, stadiums, retail spaces, workshops, industrial areas, garages, etc.



### FEATURES

- . ETL/cETL listed for wet locations, IP66 rated
- . 140 lumens per watt
- . 100-277V universal voltage
- . 0-10V dimming standard
- . Microwave Motion Sensor for Bi-Level control
- . PC lens optional

# WCS Series

## APPLICATIONS

- Wet areas
- Warehouses
- Factories
- Gyms
- Supermarkets
- Stadiums
- Workshops
- Retail spaces
- Industrial areas
- Garages

## CONSTRUCTION

- Die-cast aluminum body(Black)
- 120° PC Lens
- With high performance LED driver as well as LM80 LEDs, the LED highbay light can also work with 0-10V dimmer,
- Preinstalled hook make it easily for a fast installation
- Sturdy U-bracket to mount the LED highbay light to wall or ceiling



- gyms



- factories

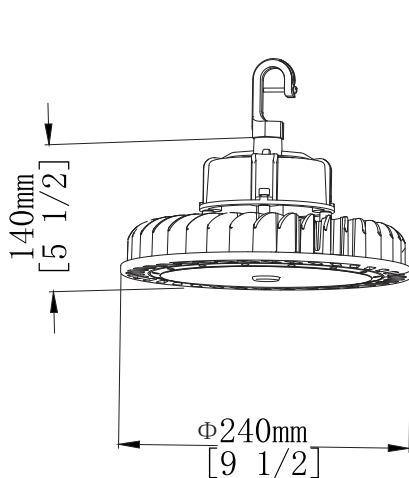


Warehouses

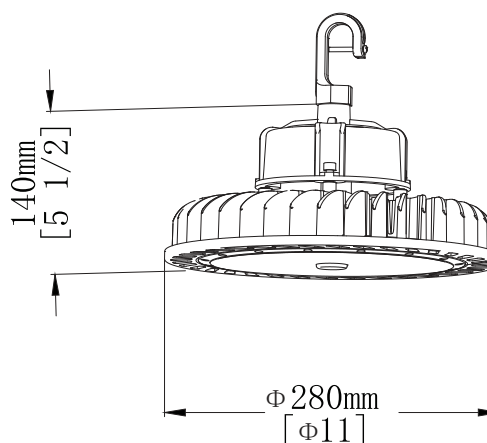


- supermarkets

## DIMENSION:(mm/in)



100-150W



200-250W

## WCS Series

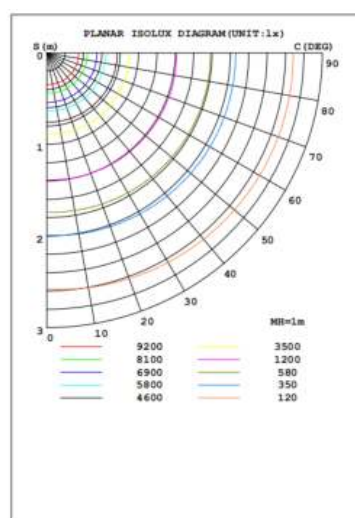
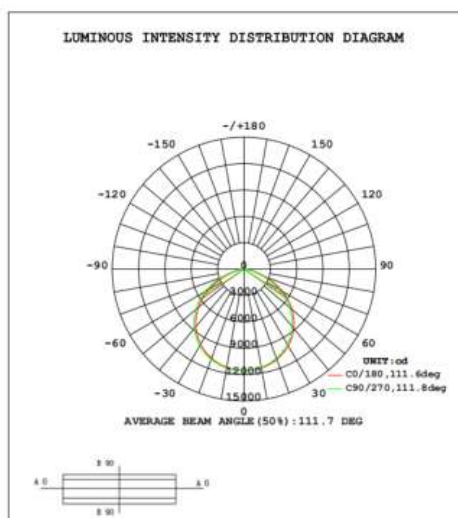
### TECHNICAL SPECIFICATION

- Input Voltage : 100-277VAC
- Driver Type : UL Approved Flicker-free
- Luminous Efficacy : up to 140lm/w
- Colour Rendering Index : > 80Ra
- LED Type : LM80 SMD LED
- Operating : Temperature:-30°C up to 50°C  
(-22°F up to 122°F)
- Color Temperature : 3000K/4000K/5000K/5700K
- Material : Die-cast Aluminum body & Polycarbonate Diffuser/Toughened glass
- Ingress Protection : IP66
- Impact Rating : IK08
- Rated Life : 50,000 hours
- Warranty : 5 years

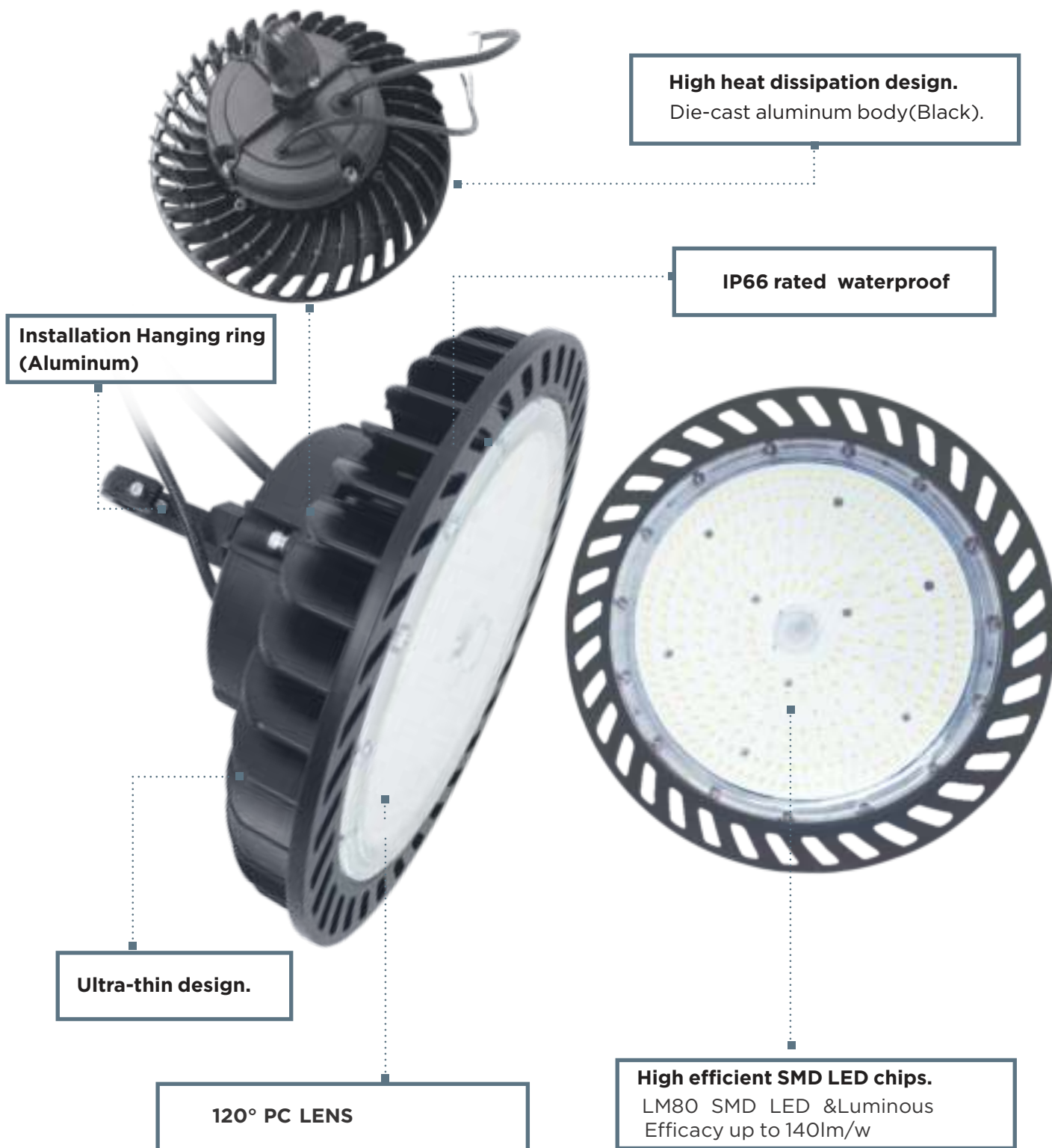
Produce Code	KLHB100WCS	KLHB150WCS	KLHB200WCS	KLHB240WCS
<b>Power Consumption(W)</b>	100W	150W	200W	250W
<b>Lumens Delivered (lm)</b>	14000lm	21000lm	28000lm	35000lm
<b>Efficacy (lm/W)</b>	140lm/w	140lm/w	140lm/w	140lm/w
<b>Beam Angle</b>	120°	120°	120°	120°
<b>CRI</b>	80	80	80	80
<b>Color Temperature</b>	3000K/4000K/ 5000K/5700K	3000K/4000K/ 5000K/5700K	3000K/4000K/ 5000K/5700K	3000K/4000K/ 5000K/5700K
<b>Power Factor</b>	>0.9	>0.9	>0.9	>0.9
<b>Housing</b>	Die-cast aluminum body(Black). 120° PC Lens	Die-cast aluminum body(Black). 120°PC Lens	Die-cast aluminum body(Black). 120°PC Lens	Die-cast aluminum body(Black). 120° PC Lens
<b>Input Voltage</b>	100-277VAC	100-277VAC	100-277VAC	100-277VAC
<b>Installation</b>	via cable & pendant suspension & surface mounted	via cable & pendant suspension & surface mounted	via cable & pendant suspension & surface mounted	via cable & pendant suspension & surface mounted
<b>Operating Temperature</b>	-30°C up to 50°C (-22°F up to 122°F)	-30°C up to 50°C (-22°F up to 122°F)	-30°C up to 50°C (-22°F up to 122°F)	-30°C up to 50°C (-22°F up to 122°F)
<b>Certification</b>	ETL/cETL	ETL/cETL	ETL/cETL	ETL/cETL
<b>Warranty</b>	5 years	5 years	5 years	5 years

### LUMINAIRE PHOTOMETRIC

#### Luminous Intensity Distribution Diagram:



# WCS Series



**High heat dissipation design.**  
Die-cast aluminum body(Black).

**IP66 rated waterproof**

**Installation Hanging ring (Aluminum)**

**Ultra-thin design.**

**120° PC LENS**

**High efficient SMD LED chips.**  
LM80 SMD LED & Luminous Efficacy up to 140lm/w

# WCS Series

## PACKAGING

Model No.	Qty (pcs)	L*W*H (CM)	NW. (kgs)	G.W. (kgs)	Meas. (CBM)
			Per CTN	Per CTN	Per CTN
KLHB100WCS	4	63*33*37CM	11.5	12.8	0.076
KLHB150WCS	4	63*33*37CM	11.5	12.8	0.076
KLHB200WCS	4	70*36*36CM	18	19.5	0.09
KLHB240WCS	4	70*36*36CM	18	19.5	0.09