

# SBAL Series

The SBAL LED area light is designed as a replacement for street light and vapor lamp. It has a low-profile design made of one piece die-cast aluminum housing with UV resistant polycarbonate optical lenses. This LED area light delivers high lumens with efficacy up to 130 lumens per watt and long life for a more energy efficient and low maintenance lighting solution. IP66/IK09 design for harsh environments from -22 to 122 F. This LED area light is designed to slip-fit, round pole, square pole and trunnion (bracket) mount, the versatile mounting configurations offer simple installation. The type III, IV, V light distribution makes it ideal for general outdoor and commercial area lighting in parking lots, office complexes, campuses, walkways, stadiums, squares and billboards, etc.



## FEATURES:

- ETL/cETL listed for wet locations, IP66 rated
- DLC 4.4 premium certified
- 130 lumens per watt
- 100-277VAC universal voltage
- 1-10V dimming optional
- Photocontrol sensor for dusk to dawn operation
- Built-in 10KV surge protector

# SBAL Series

## APPLICATIONS

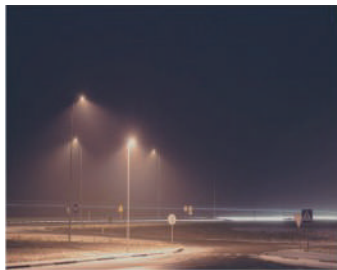
- Wet areas
- Parking lots
- Ofce complexes
- Campuses
- Walkways
- Stadiums
- Squares
- Billboards
- Urban road
- Highway
- Industrial area
- Sidewalk
- Garden
- School
- Residential area
- Commercia area

## CONSTRUCTION

- One piece die-cast aluminum housing
- UV resistant polycarbonate optical lens
- High lumens with efcacy up to 130 lumens per watt
- Designed to slip-fit
- Round pole, square pole and trunion (bracket) mount
- The versatile mounting configurations offer simple installation



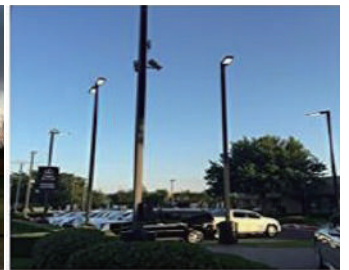
Stadiums



Highway



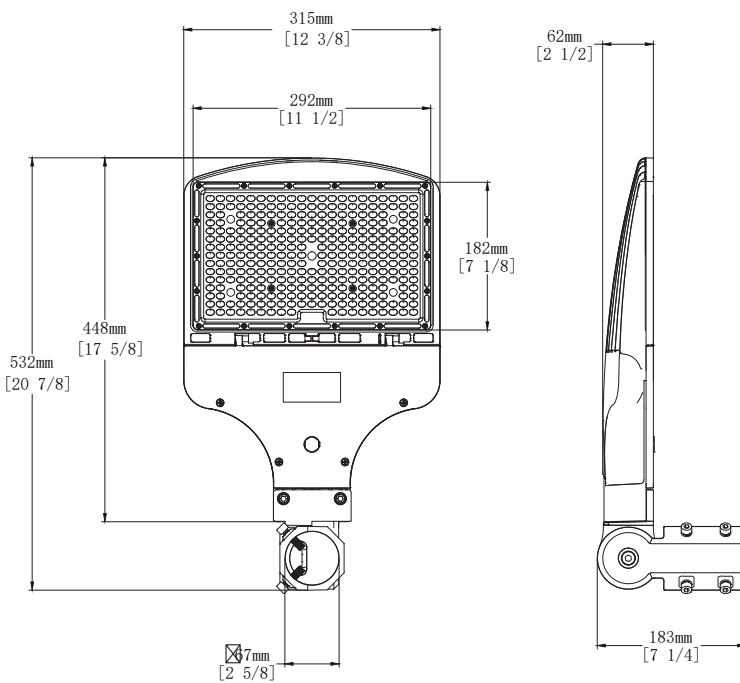
Urban road



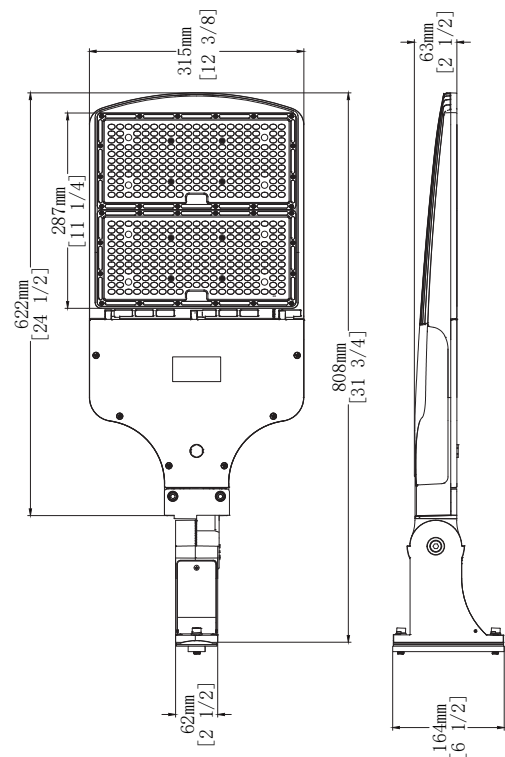
Parking lots

## DIMENSION:(mm/in)

### 100-200W



### 320W





# SBAL Series

## TECHNICAL SPECIFICATION:

- Input Voltage: 100-277VAC
- Luminous Efficacy: up to 130lm/w
- Colour Rendering Index: 70Ra
- Power Factor: >0.9
- Operating Temperature: -30°C up to 50°C (-22°F up to 122°F)
- Color Temperature: 3000K/4000K/5000K
- Lens: Polycarbonate Body & Difuser
- Ingress Protection: IP66
- Impact Rating: IK09
- Beam Angle: Type II, T3: Asymmetric Wide Type III  
T4: Asymmetric Forward Type IV, T5: Symmetric Medium Type V
- Housing: Die-cast aluminum body. PC cover diffuse
- Installation: SBAL-TA: Round Pole Mount , SBAL-TB: Square Pole Mount
- Environment: damp/wet locations
- Certification: ETL/CETL, DLC Premium
- Rated Life: 50.000 hours
- Warranty: 5 years

## SPECIFICATIONS:

Produce Code	KLSBAL100-XXXXXXXXXX	KLSBAL150-XXXXXXXXXX	KLSBAL200-XXXXXXXXXX	KLSBAL320-XXXXXXXXXX
<b>Power Consumption(W)</b>	100	150	200	320
<b>Lumens Delivered (lm)</b>	13000	19500	26000	41600
<b>Efficacy (lm/W)</b>	130	130	130	130
<b>CRI</b>	>70	>70	>70	>70
<b>Input Voltage</b>	100-277VAC	100-277VAC	100-277VAC	100-277VAC
<b>Power Factor</b>	>0.9	>0.9	>0.9	>0.9
<b>L 70</b>	More than 50000hours	More than 50000hours	More than 50000hours	More than 50000hours
<b>Housing</b>	Die-cast aluminum body(Bronze/Black). PC diffuse	Die-cast aluminum body(Bronze/Black). PC diffuse	Die-cast aluminum body(Bronze/Black). PC diffuse	Die-cast aluminum body(Bronze/Black). PC diffuse
<b>Installation</b>	SBAL-TA: Round Pole Mount, SBAL-TB: Square Pole Mount			
<b>Operating Temperature</b>	-30°C up to 50°C (-22°F up to 122°F)	-30°C up to 50°C (-22°F up to 122°F)	-30°C up to 50°C (-22°F up to 122°F)	-30°C up to 50°C (-22°F up to 122°F)
<b>Certification</b>	ETL/cETL,DLC Premium	ETL/cETL,DLC Premium	ETL/cETL,DLC Premium	ETL/cETL,DLC Premium

## Models

For example(KLSBAL150-T350KTASOP)

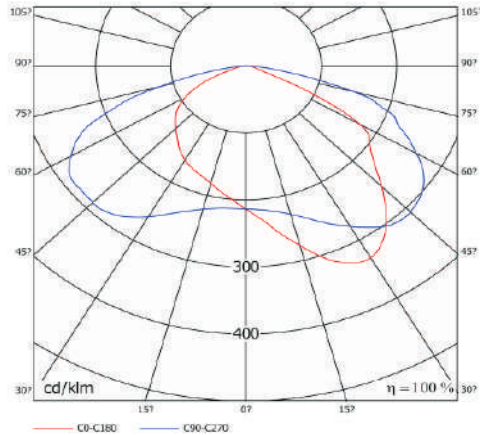
Family	Wattage	Separator	Photometric	CCT	Mount	Sensor	Surge protector
<b>KLSBAL:</b> KILI-LED 100-277VAC Area lighting	100:100W 150:150W 200: 200W 320: 320W	-	T3: Asymmetric Wide Type III T4: Asymmetric Forward Type IV T5: Symmetric Medium Type V	30K:3000K 40K:4000K 50K:5000K	TA: Round Pole Mount TB: Square pole Mount	S0: without sensor (standard)	P:10KA S:6KV

# SBAL Series

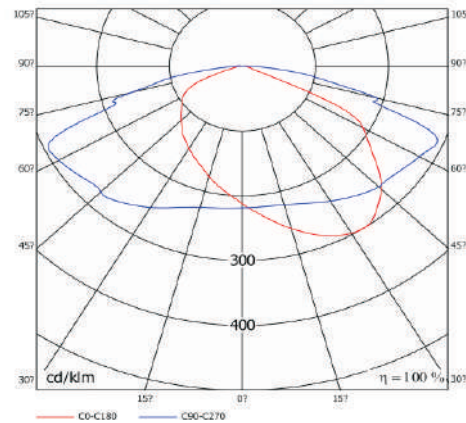
## LUMINAIRE PHOTOMETRIC

### Luminous Intensity Distribution Diagram:

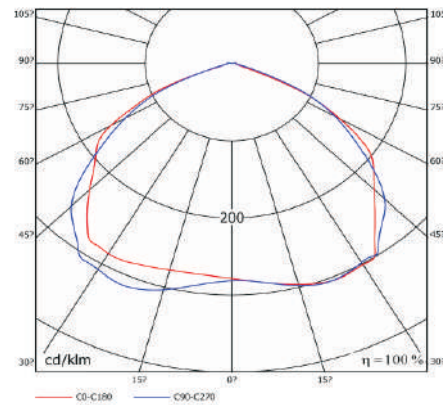
**T3** : Asymmetric Wide Type III



**T4** : Asymmetric Forward Type IV



**T5** : Symmetric Medium Type V



## PACKAGING

Model No.	Qty (pcs)	L*W*H (CM)	NW. (kgs)	G.W. (kgs)	Meas. (CBM)
			Per CTN	Per CTN	Per CTN
SBAL100/SBAL150 SBAL200-TA	1	55*37.5*14cm	4.6	5.6	0.0289
SBAL100/SBAL150 SBAL200-TB	1	55*37.5*14cm	5.1	6.1	0.0289
SBAL320-TA	1	55*37.5*14cm	6.5	7.7	0.038
SBAL320-TB	1	72.5*37.5*14cm	7	8.2	0.038